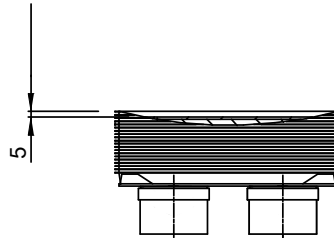
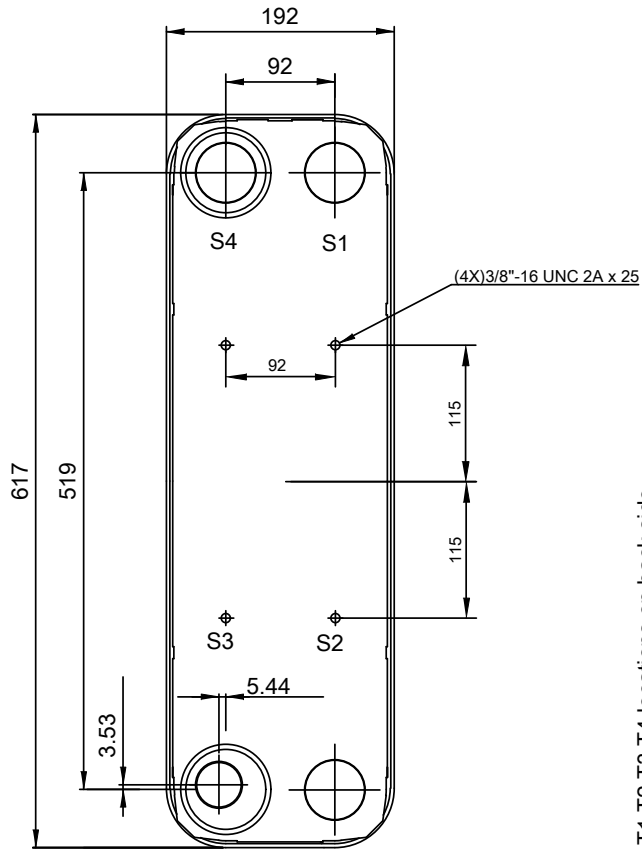
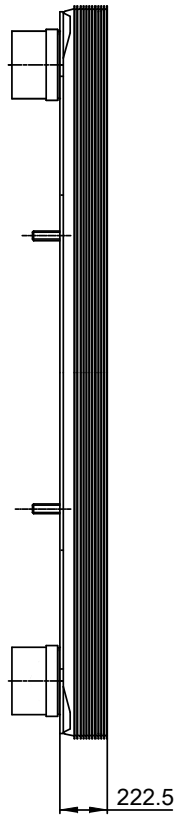
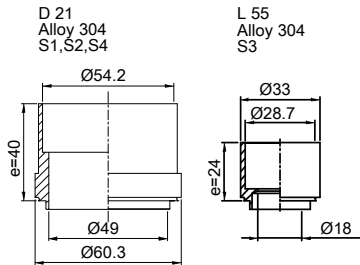


Note that all unique customer requirements (i.e tolerance) need to be verified thru Alfa Laval.



HEATING SURFACE  
 NETWEIGHT 48.5 kg  
 OPERATING WEIGHT  
 PLATE MATERIAL Alloy 316  
 PLATE GROUPING 1\*44H/1\*45H

T1 T2 T3 T4 locations on back side  
 correspond to S1 S2 S3 S4 on front side

ALL DIMENSIONS IN MILLIMETERS

SIDE	MEDIA	INLET	TEMP.	OUTLET	TEMP.	FLOW RATE	PRESSURE DROP	LIQUID VOL.
1								9.24 dm <sup>3</sup>
2								9.45 dm <sup>3</sup>

PRESSURE VESSEL APPROVAL UL

ACH-120EQ-90H S62 (3287083734)

www.alfalaval.com

CUSTOMER NAME / REF. NO.

TOTAL LENGTH 262.5 mm  
 TOTAL WIDTH 192.0 mm  
 TOTAL HEIGHT 617.0 mm

COMPANY / REF.

9/13/2017  
 REV 0