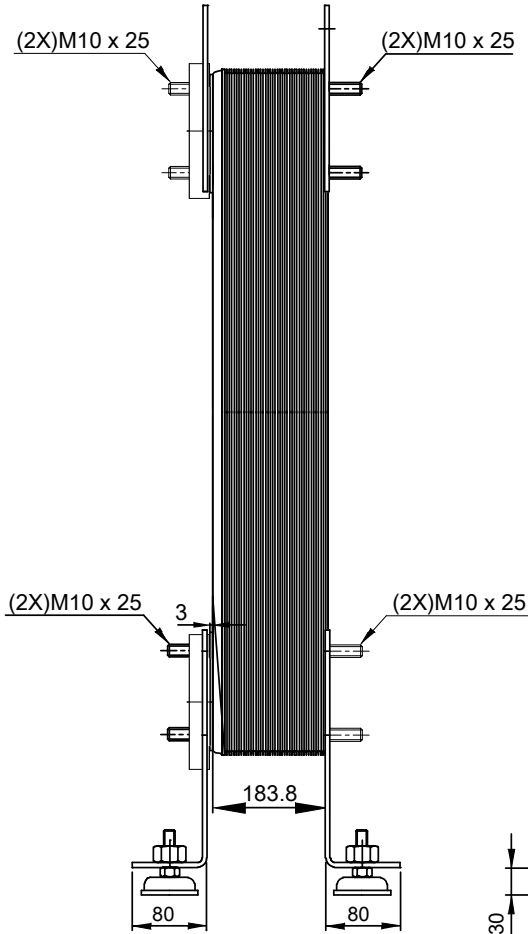
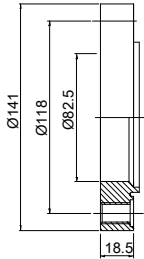
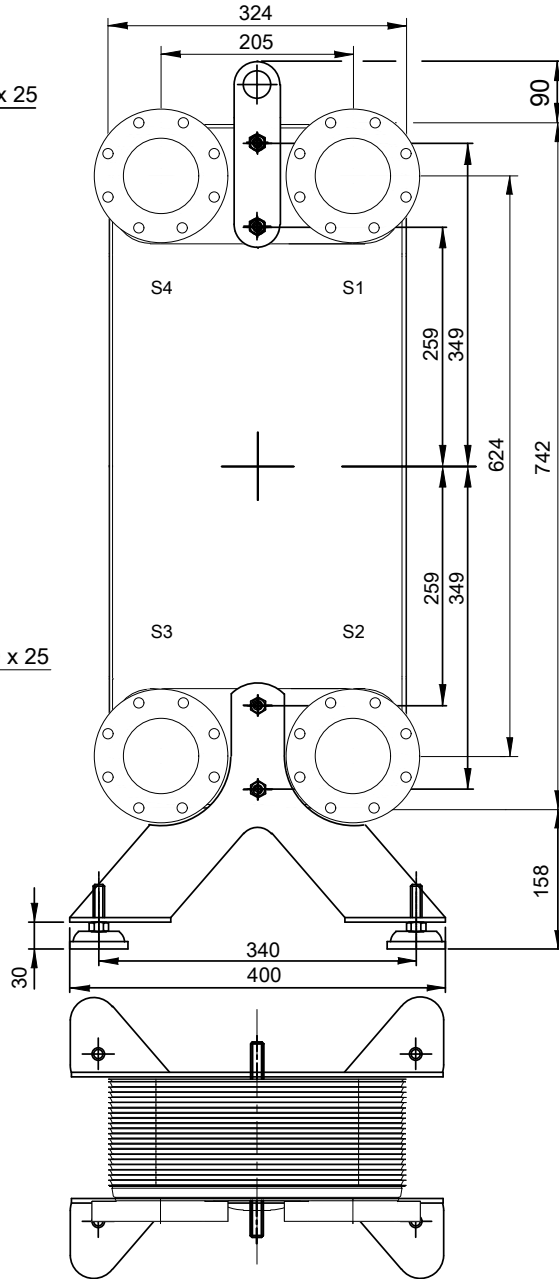


Note that all unique customer requirements (i.e tolerance) need to be verified thru Alfa Laval.

CPF80FP  
ALLOY 316  
S1,S2,S3,S4



### FRAME PLATE



HEATING SURFACE            m<sup>2</sup>  
NETWEIGHT                    56.3 kg  
OPERATING WEIGHT           kg  
PLATE MATERIAL              ALLOY 316  
PLATE GROUPING              1\*31M/1\*32M

T1 T2 T3 T4 locations on back side correspond to S1 S2 S3 S4 on front side

ALL DIMENSIONS IN MILLIMETERS

SIDE	MEDIA	INLET	TEMP. °C	OUTLET	TEMP. °C	FLOW RATE	PRESSURE DROP	LIQUID VOL.
1	Water	S1	°C	S2	°C	kg/h	kPa	16.3 dm <sup>3</sup>
2	Water	S3	°C	S4	°C	kg/h	kPa	15.8 dm <sup>3</sup>

PRESSURE VESSEL APPROVAL

PED

CB200-64M (3287070516)

[www.alfalaval.com](http://www.alfalaval.com)

CUSTOMER NAME / REF. NO.

TOTAL LENGTH                    344 mm  
TOTAL WIDTH                        324 mm  
TOTAL HEIGHT                       990 mm

COMPANY / REF.  
Alfa Laval Nordic AB



12/1/2018  
REV 0