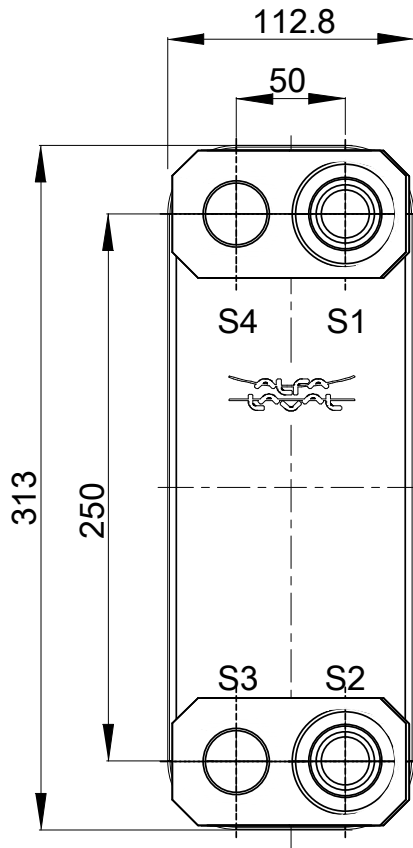
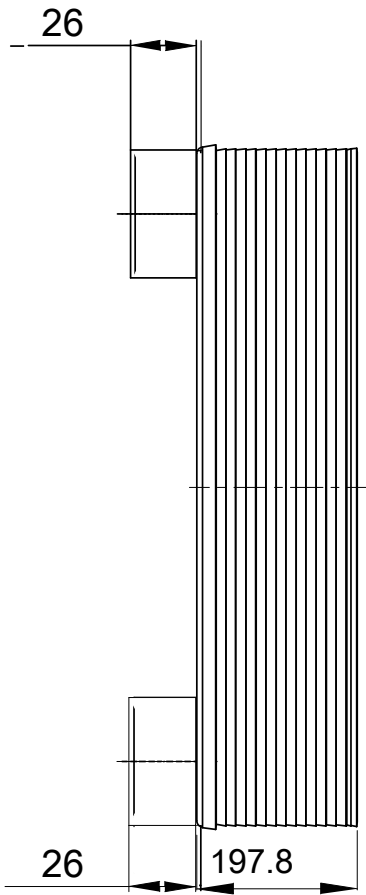
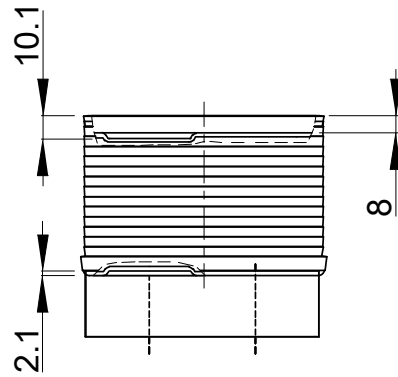
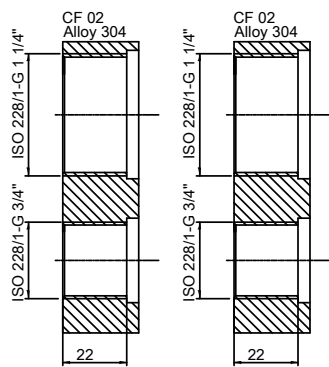


Note that all unique customer requirements (i.e tolerance) need to be verified thru Alfa Laval.



T1 T2 T3 T4 locations on back side correspond to S1 S2 S3 S4 on front side



HEATING SURFACE
 NETWEIGHT 11.9 kg
 OPERATING WEIGHT
 PLATE MATERIAL Alloy 316
 PLATE GROUPING 1*39H/1*40H

ALL DIMENSIONS IN MILLIMETERS

SIDE	MEDIA	INLET	TEMP.	OUTLET	TEMP.	FLOW RATE	PRESSURE DROP	LIQUID VOL.
1								2.11 dm³
2								2.16 dm³

PRESSURE VESSEL APPROVAL PED
 DOC30-80H-F (3287121023)



www.alfalaval.com

CUSTOMER NAME / REF. NO.	TOTAL LENGTH	223.8 mm
	TOTAL WIDTH	113.0 mm
	TOTAL HEIGHT	313.0 mm
COMPANY / REF.		



8/24/2017
 REV 0