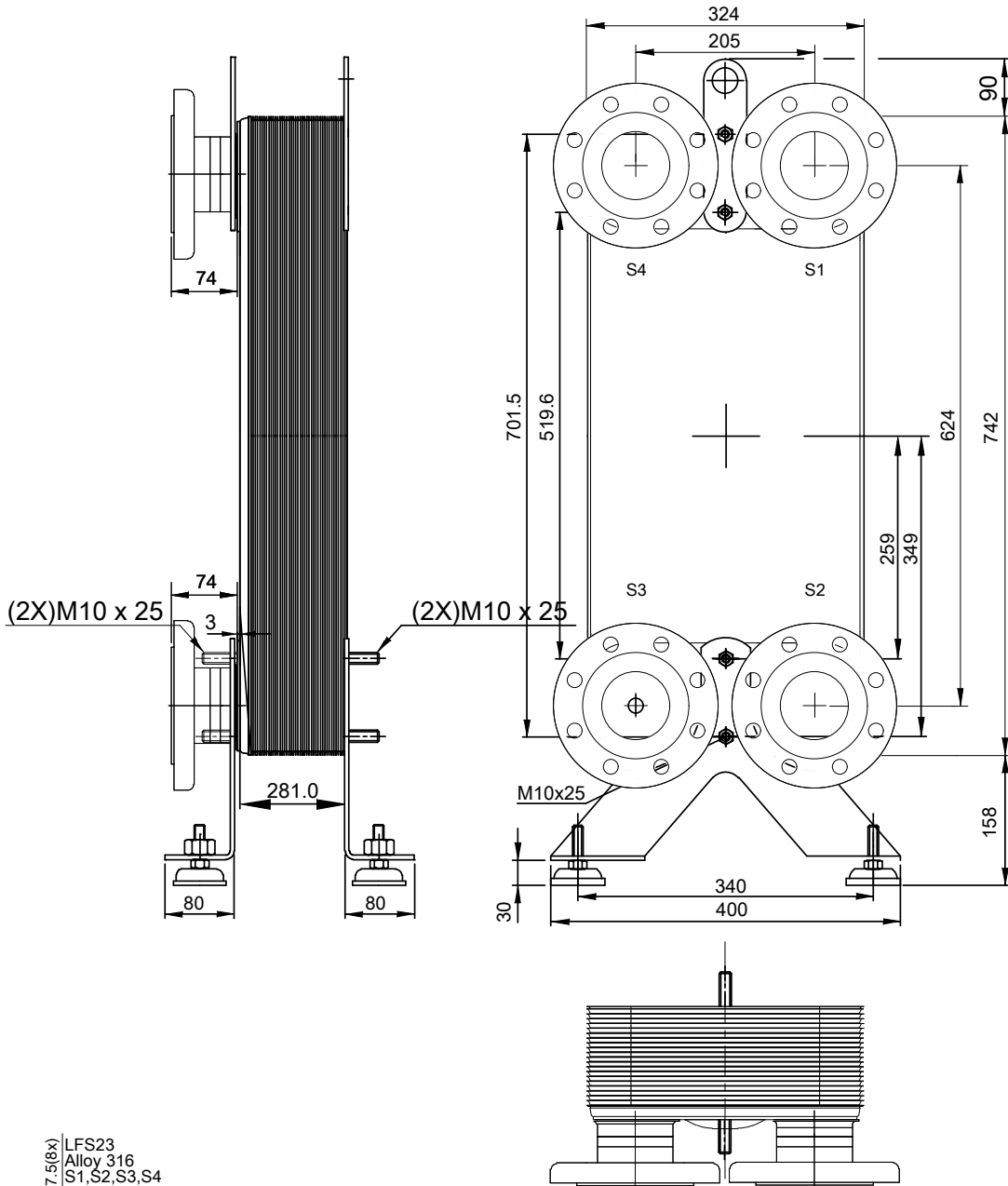


Note that all unique customer requirements (i.e tolerance) need to be verified thru Alfa Laval.

FRAME PLATE



T1 T2 T3 T4 locations on back side correspond to S1 S2 S3 S4 on front side

HEATING SURFACE
 NETWEIGHT 103.6 kg
 OPERATING WEIGHT
 PLATE MATERIAL Alloy 316
 PLATE GROUPING 1*49H/1*50H

ALL DIMENSIONS IN MILLIMETERS

SIDE	MEDIA	INLET	TEMP.	OUTLET	TEMP.	FLOW RATE	PRESSURE DROP	LIQUID VOL.
1								25.0 dm ³
2								25.5 dm ³

PRESSURE VESSEL APPROVAL

PED

CB200-100H+Mounted insulation (3287056283)

www.alfalaval.com

CUSTOMER NAME / REF. NO.

TOTAL LENGTH 441.0 mm
 TOTAL WIDTH 324.0 mm
 TOTAL HEIGHT 990.0 mm

COMPANY / REF.



8/24/2017
 REV 0