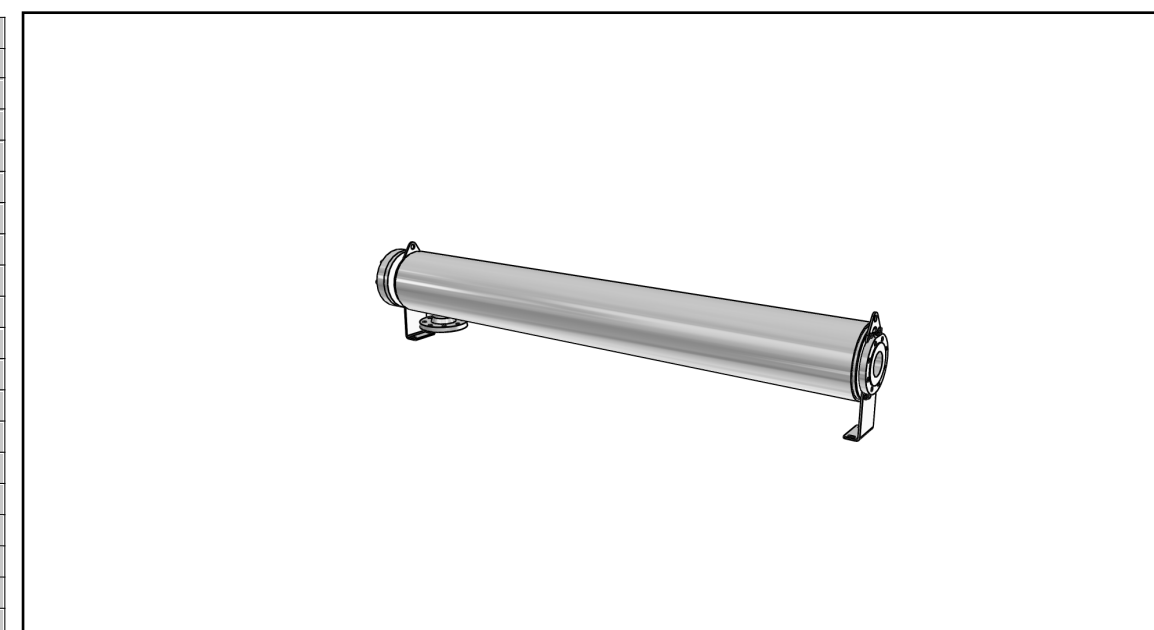
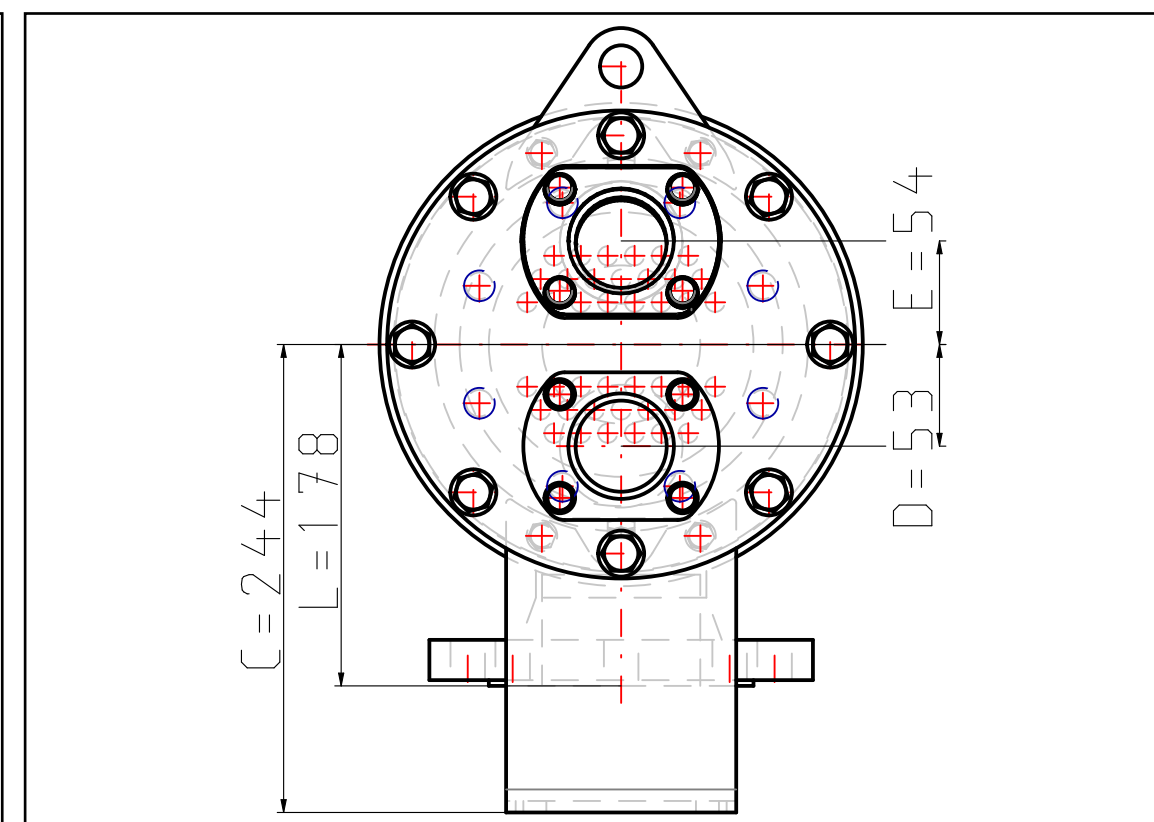
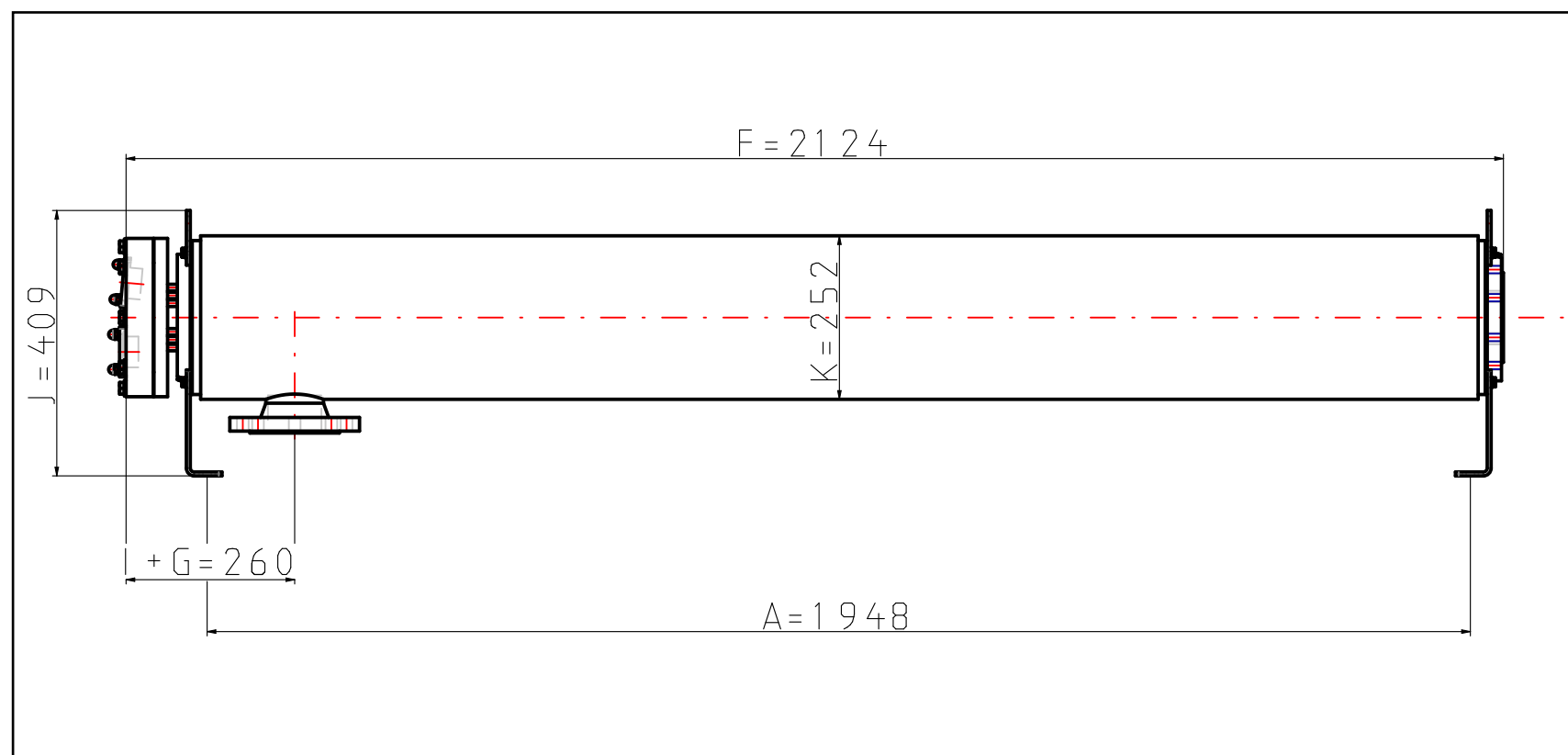


This document and its contents is owned by Alfa Laval AB (publ) or its affiliates and protected by laws governing intellectual property and thereto related rights. Without limiting any rights related to this document, no part of this document may be copied, reproduced or transmitted in any form or by any means (electronic, mechanical, photocopying, recording, or otherwise), or for any purpose than expressed permission of Alfa Laval. Nor may it be used in any other way of for any other purpose than expressly permitted by Alfa Laval. Alfa Laval will enforce its rights related to this document to the fullest extent of the law, including the seeking of criminal prosecution.

Pharma-line S Double Tube Sheet Shell & Tube Heat Exchanger



Item No	9615012640
Model name	Pharma-line S 2-2.4
Product connection size	NAC plate for Tri-clamp ASME BPE 2"
Shell connection size	Flange DN80
Item description	Pharma-line S 2-2.4 0,4EP PED
Extra description	IY ASME BPE2" DIN2635DN80DN80
Volume shell side	8.5 l
Volume tube side	2.6 l
Weight empty	74 kg
Nozzles size Tube	ASME/OD 2"
Nozzle size flange	DIN2635/EN1092 DN 80
A (Distance)	1948 mm
B (Diameter)	244 mm
C (Height)	244 mm
D (Distance)	53 mm
E (Distance)	54 mm
F (Length)	2124 mm
G (Distance)	125 mm
I (Distance)	135 mm
J (Height)	409 mm
L (Height)	178 mm
K (Diameter)	252 mm
Pressure vessel code	PED (directive 97/23/EC)
Design pressure / Shell side	-1/10 bar (g)
Design temperature / Shell side	-10/150 °C
Material / Shell side	SS 304/304L
Material / Media side (tube)	SS316L
Connection standard & size / Shell side	Flange: DIN2635/EN1092-1
Connection standard & size / Media side (tube)	NAC plate for Tri-clamp
Surface finish	Ra<0,4 EP on product wetted parts
Insulation	ASTM C795 with stainless steel cladding

Qty	Pos	Item No	Description	Material	Weight (kg)
Edges broken to 0,4x45° or R0,5 Burrs removed		A3	Size	22/08/2017 10:43	Date
		MM	All Dimm. in	AL CAD Portal	Drawn by
					Dept.
					Checked by
					Appr. by
					Std. Checked
					Prod. Checked
Special requirements					
			First angle projection 150 method E		
				Complementary document No.:	
				-	
				DRG No.:	
				9615012640	
				1 OF 1	

Only to the extent expressly agreed by us this document may constitute a contractual obligation on our part

Replaces drawing No	Revision			Appr.
	Rev No	Date	Revised	