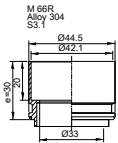
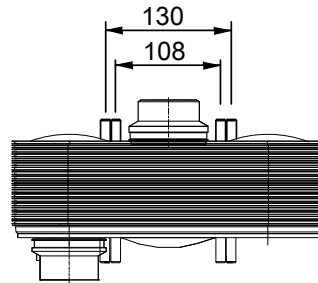
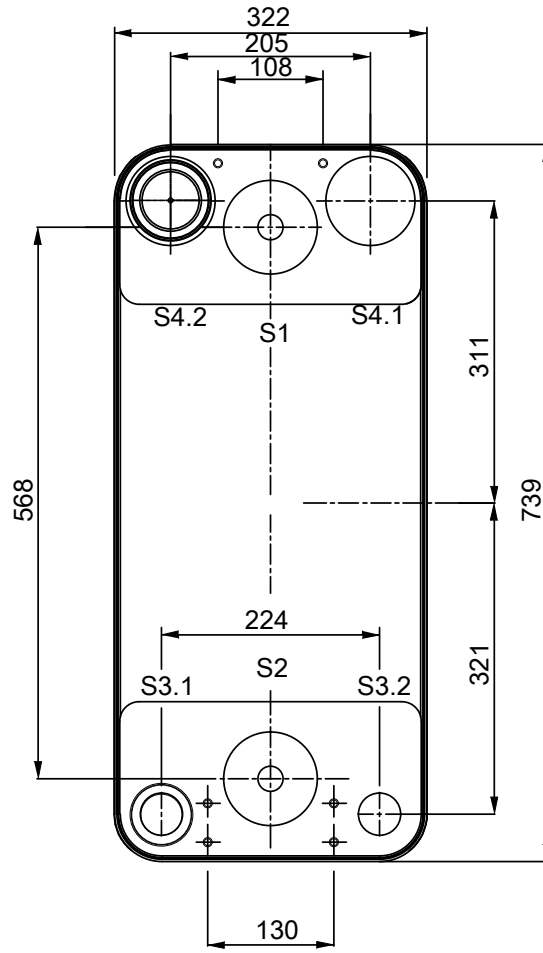
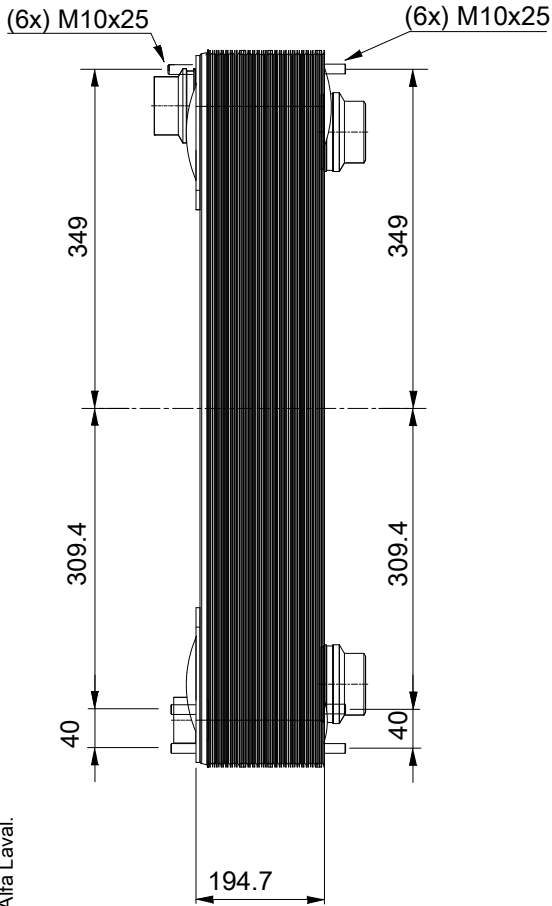
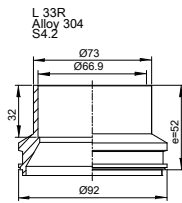
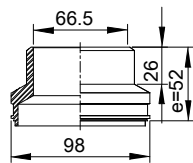


Note that all unique customer requirements (i.e tolerance) need to be verified thru Alfa Laval.



J 31R  
Alloy 304  
T1,T2



HEATING SURFACE  
NETWEIGHT 71.1 kg  
OPERATING WEIGHT  
PLATE MATERIAL Alloy 316  
PLATE GROUPING 1\*34HR/1\*35HB

T1 T2 T3.1 T3.2 T4.1 T4.2 locations on back side correspond to S1 S2 S3.1 S3.2 S4.1 S4.2 on front side

ALL DIMENSIONS IN MILLIMETERS

SIDE	MEDIA	INLET	TEMP.	OUTLET	TEMP.	FLOW RATE	PRESSURE DROP	LIQUID VOL.
1								17 dm <sup>3</sup>
2								16.4 dm <sup>3</sup>

PRESSURE VESSEL APPROVAL PED  
ACH-500EQ-70H-F (3287076470)

www.alfalaval.com

CUSTOMER NAME / REF. NO.

TOTAL LENGTH 297.2 mm  
TOTAL WIDTH 322.0 mm  
TOTAL HEIGHT 739.0 mm

COMPANY / REF.



3/24/2017  
REV 0