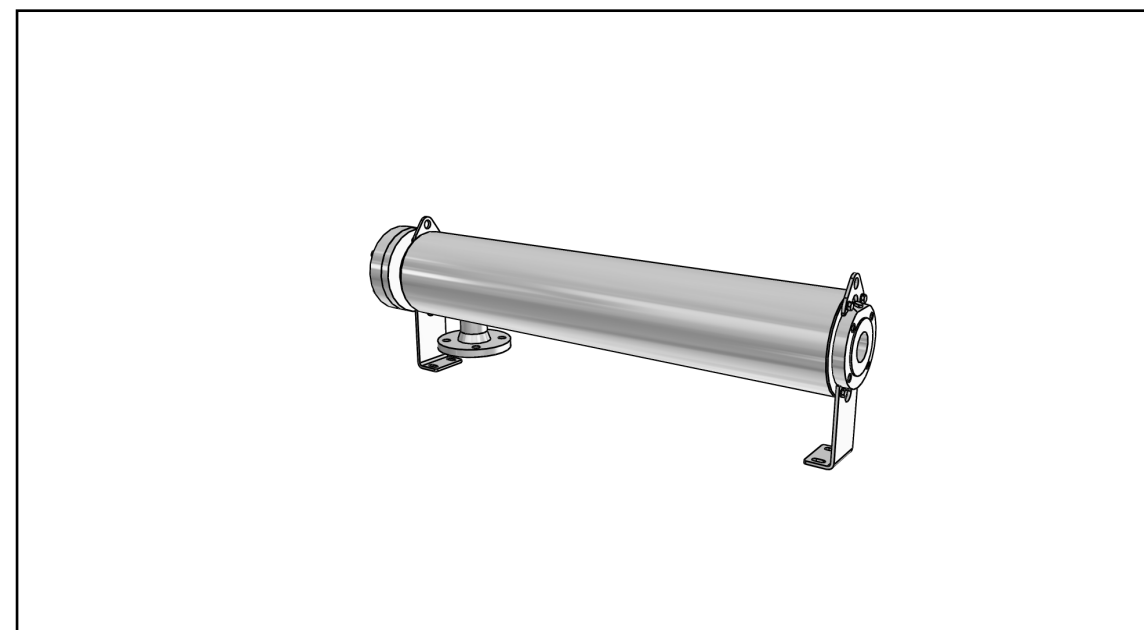
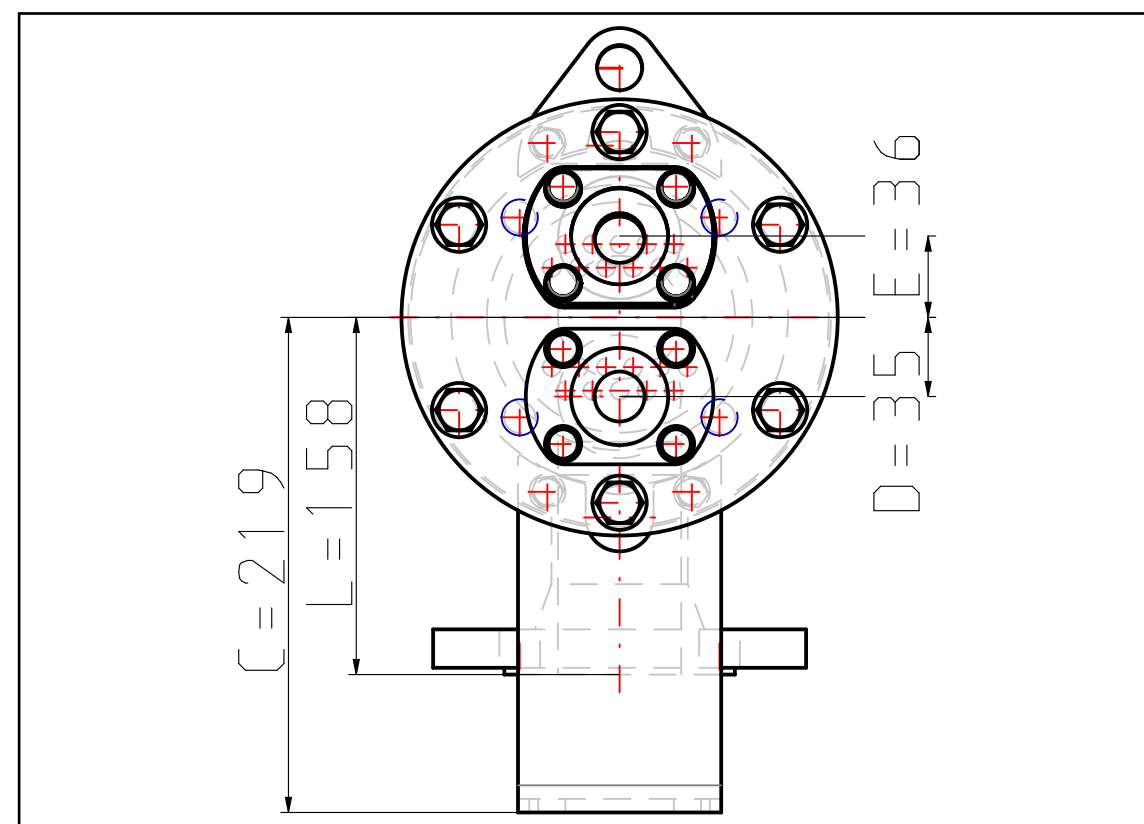
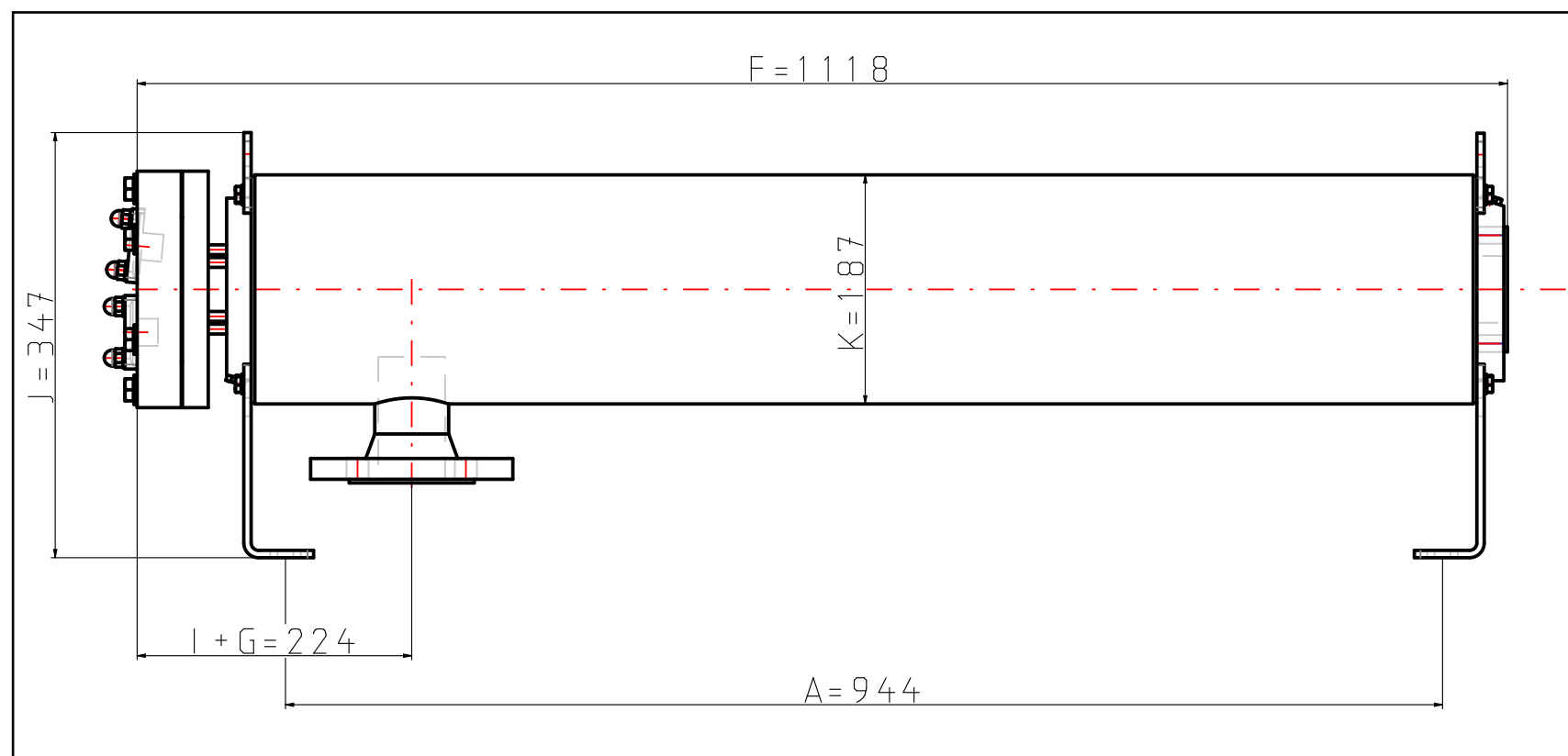


This document and its contents is owned by Alfa Laval AB (publ) or its affiliates and protected by laws governing intellectual property and thereto related rights. Without limiting any rights related to this document, no part of this document may be copied, reproduced or transmitted in any form or by any means (electronic, mechanical, photocopying, recording, or otherwise), or for any purpose than expressed permission of Alfa Laval. Nor may it be used in any other way of for any other purpose than expressly permitted by Alfa Laval. Alfa Laval will enforce its rights related to this document to the fullest extent of the law, including the seeking of criminal prosecution.

Pharma-line S Double Tube Sheet Shell & Tube Heat Exchanger



Item No	9615012607
Model name	Pharma-line S 1-0.4
Product connection size	NAC plate for Tri-clamp ASME BPE 1"
Shell connection size	Flange DN50
Item description	Pharma-line S 1-0.4 0,5MP PED
Extra description	IY ASME BPE1" DIN2635DN50DN50
Volume shell side	5.6 l
Volume tube side	0.8 l
Weight empty	40 kg
Nozzles size Tube	ASME/OD 1"
Nozzle size flange	DIN2635/EN1092 DN 50
A (Distance)	944 mm
B (Diameter)	193 mm
C (Height)	219 mm
D (Distance)	35 mm
E (Distance)	36 mm
F (Length)	1118 mm
G (Distance)	121 mm
I (Distance)	103 mm
J (Height)	347 mm
L (Height)	158 mm
K (Diameter)	187 mm
Pressure vessel code	PED (directive 97/23/EC)
Design pressure / Shell side	-1/10 bar (g)
Design temperature / Shell side	-10/150 °C
Material / Shell side	SS 304/304L
Material / Media side (tube)	SS316L
Connection standard & size / Shell side	Flange: DIN2635/EN1092-1
Connection standard & size / Media side (tube)	NAC plate for Tri-clamp
Surface finish	Ra < 0,5µm MP on product wetted parts
Insulation	ASTM C795 with stainless steel cladding

Qty	Pos	Item No	Description	Material	Weight (kg)																																										
<table border="0"> <tr> <td>Edges broken to 0,4x45° or R0,5 Burrs removed</td> <td>A3</td> <td>Size</td> <td>12/07/2016 06:45</td> <td>Date</td> <td></td> </tr> <tr> <td></td> <td>MM</td> <td>All Dimm. in</td> <td>AL CAD Portal</td> <td>Drawn by</td> <td></td> </tr> <tr> <td></td> <td></td> <td></td> <td></td> <td>Dept.</td> <td></td> </tr> <tr> <td></td> <td></td> <td></td> <td></td> <td>Checked by</td> <td></td> </tr> <tr> <td></td> <td></td> <td></td> <td></td> <td>Appr. by</td> <td></td> </tr> <tr> <td></td> <td></td> <td></td> <td></td> <td>Std. Checked</td> <td></td> </tr> <tr> <td></td> <td></td> <td></td> <td></td> <td>Prod. Checked</td> <td></td> </tr> </table>						Edges broken to 0,4x45° or R0,5 Burrs removed	A3	Size	12/07/2016 06:45	Date			MM	All Dimm. in	AL CAD Portal	Drawn by						Dept.						Checked by						Appr. by						Std. Checked						Prod. Checked	
Edges broken to 0,4x45° or R0,5 Burrs removed	A3	Size	12/07/2016 06:45	Date																																											
	MM	All Dimm. in	AL CAD Portal	Drawn by																																											
				Dept.																																											
				Checked by																																											
				Appr. by																																											
				Std. Checked																																											
				Prod. Checked																																											
9615012607																																															
1 OF 1																																															

Only to the extent expressly agreed by us this document may constitute a contractual obligation on our part

Revision No	Date	Revised	Checked	Appr.

Replaces drawing No	Revision

Rev No