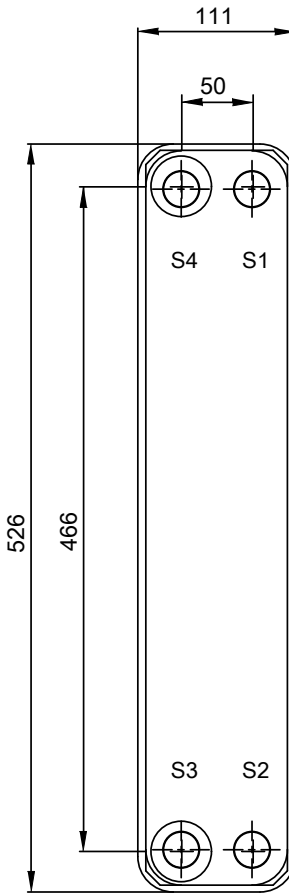
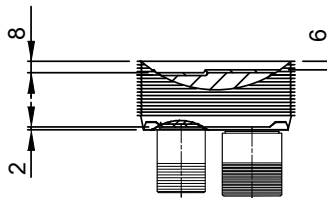
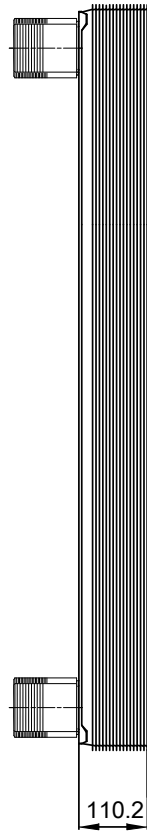
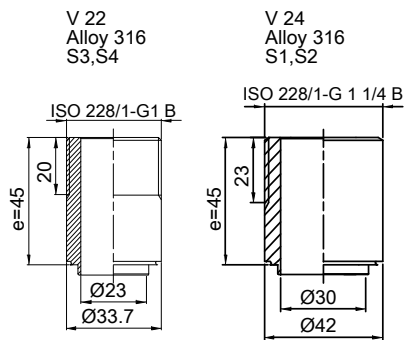


Note that all unique customer requirements (i.e tolerance) need to be verified thru Alfa Laval.



Frameplate is depressed 2 mm at connection S3/S4  
 Pressureplate is depressed 2 mm / even number of channel plates  
 at connections T3/T4 / uneven number of channel plates at  
 connections T1/T2.

HEATING SURFACE  
 NETWEIGHT 11.8 kg  
 OPERATING WEIGHT  
 PLATE MATERIAL Alloy 316  
 PLATE GROUPING 1\*19H/1\*20H

T1 T2 T3 T4 locations on back side  
 correspond to S1 S2 S3 S4 on front side

ALL DIMENSIONS IN MILLIMETERS

SIDE	MEDIA	INLET	TEMP.	OUTLET	TEMP.	FLOW RATE	PRESSURE DROP	LIQUID VOL.
1								1.81 dm <sup>3</sup>
2								1.9 dm <sup>3</sup>

PRESSURE VESSEL APPROVAL

PED



AlfaNova 52-40H (3288001265)

www.alfalaval.com

CUSTOMER NAME / REF. NO.

TOTAL LENGTH 155.2 mm  
 TOTAL WIDTH 111.0 mm  
 TOTAL HEIGHT 526.0 mm

COMPANY / REF.



8/24/2017  
 REV 0