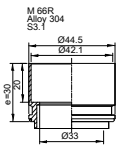
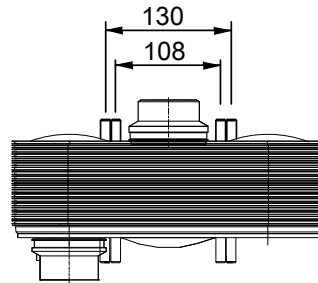
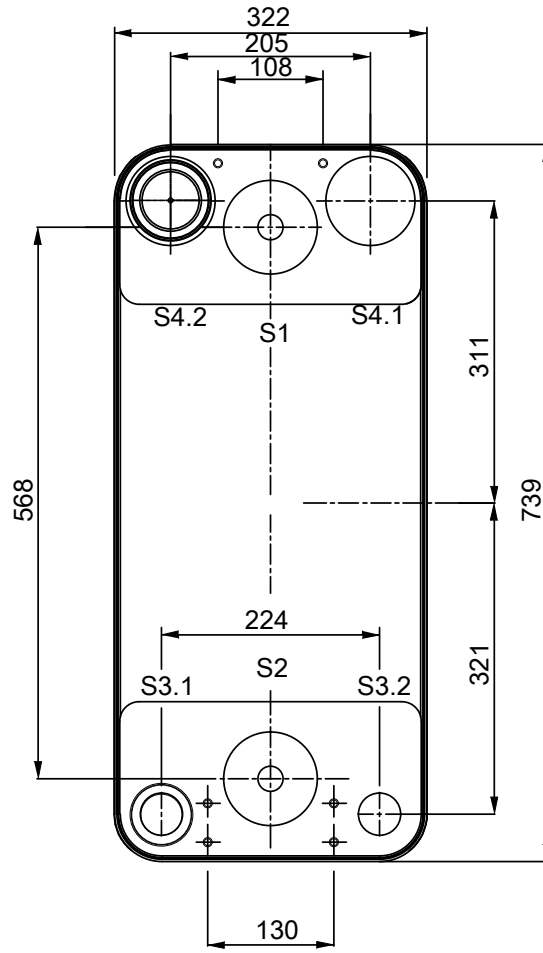
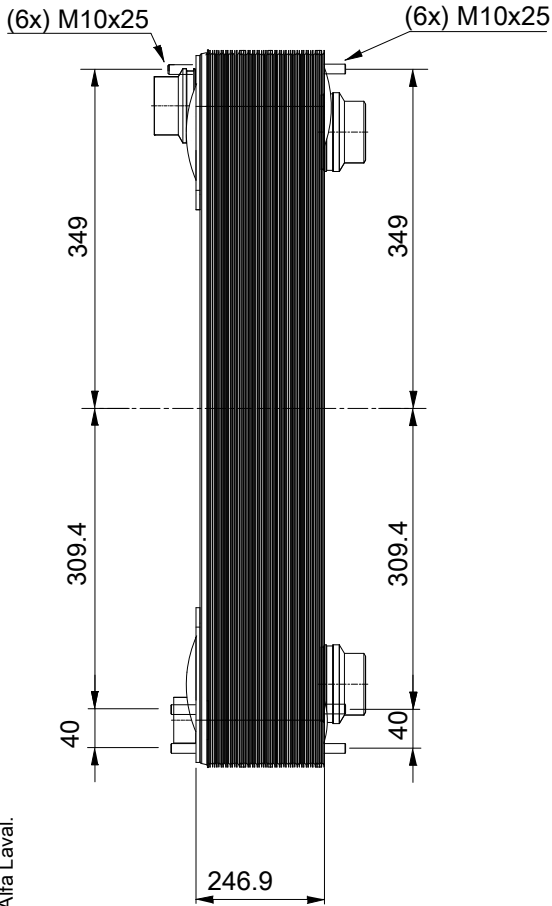
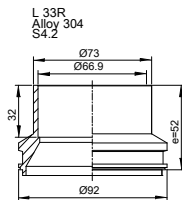
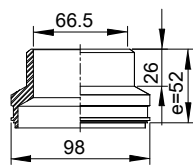


Note that all unique customer requirements (i.e tolerance) need to be verified thru Alfa Laval.



J 31R
Alloy 304
T1,T2



HEATING SURFACE
NETWEIGHT 87.9 kg
OPERATING WEIGHT
PLATE MATERIAL Alloy 316
PLATE GROUPING 1*44HR/1*45HB

T1 T2 T3.1 T3.2 T4.1 T4.2 locations on back side correspond to S1 S2 S3.1 S3.2 S4.1 S4.2 on front side

ALL DIMENSIONS IN MILLIMETERS

SIDE	MEDIA	INLET	TEMP.	OUTLET	TEMP.	FLOW RATE	PRESSURE DROP	LIQUID VOL.
1								22 dm ³
2								21.1 dm ³

PRESSURE VESSEL APPROVAL PED

ACH-500EQ-90H-F (3287076472)

www.alfalaval.com

CUSTOMER NAME / REF. NO.

TOTAL LENGTH 349.4 mm
TOTAL WIDTH 322.0 mm
TOTAL HEIGHT 739.0 mm

COMPANY / REF.



3/24/2017
REV 0