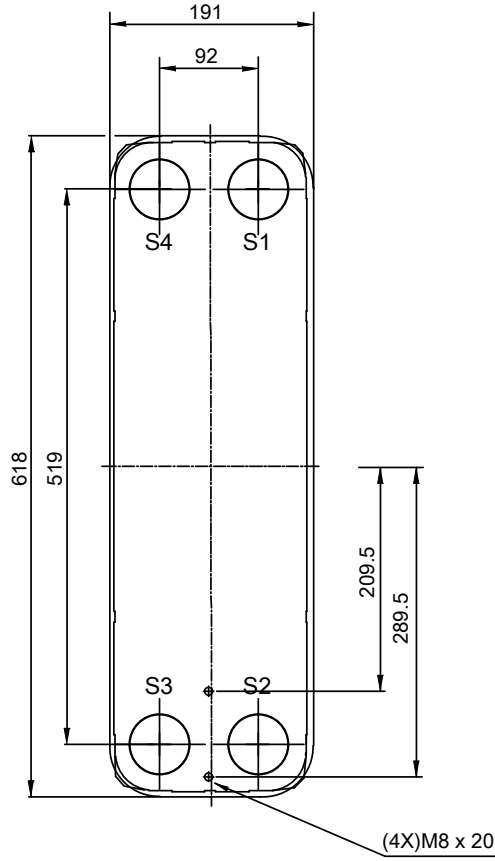
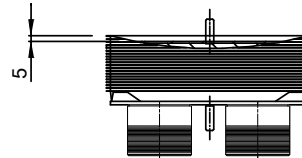
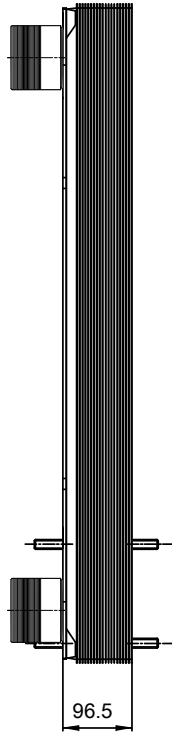
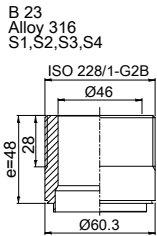


Note that all unique customer requirements (i.e tolerance) need to be verified thru Alfa Laval.



T1 T2 T3 T4 locations on back side correspond to S1 S2 S3 S4 on front side

HEATING SURFACE
 NETWEIGHT 28.9 kg
 OPERATING WEIGHT
 PLATE MATERIAL Alloy 316
 PLATE GROUPING 1*14H/1*15H

ALL DIMENSIONS IN MILLIMETERS

SIDE	MEDIA	INLET	TEMP.	OUTLET	TEMP.	FLOW RATE	PRESSURE DROP	LIQUID VOL.
1								3.5 dm ³
2								3.75 dm ³

PRESSURE VESSEL APPROVAL PED
 AlfaNova 76-30H (3287050292)



www.alfalaval.com

CUSTOMER NAME / REF. NO.
 COMPANY / REF.

TOTAL LENGTH 164.5 mm
 TOTAL WIDTH 191.0 mm
 TOTAL HEIGHT 618.0 mm



8/24/2017
 REV 0