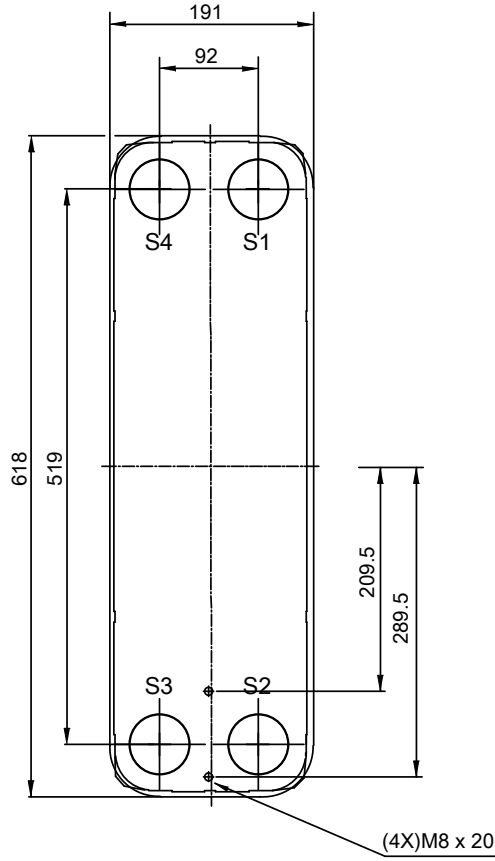
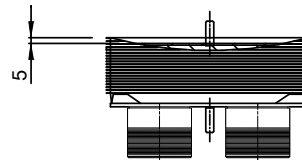
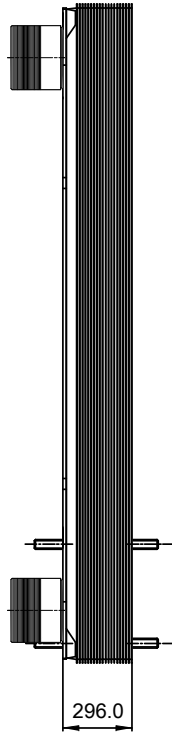
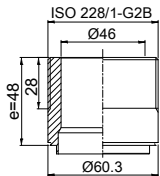


Note that all unique customer requirements (i.e tolerance) need to be verified thru Alfa Laval.

B 23
Alloy 316
S1, S2, S3, S4



T1 T2 T3 T4 locations on back side correspond to S1 S2 S3 S4 on front side

HEATING SURFACE
NETWEIGHT 65.9 kg
OPERATING WEIGHT
PLATE MATERIAL Alloy 316
PLATE GROUPING 1*49H/1*50H

ALL DIMENSIONS IN MILLIMETERS

SIDE	MEDIA	INLET	TEMP.	OUTLET	TEMP.	FLOW RATE	PRESSURE DROP	LIQUID VOL.
1								12.3 dm ³
2								12.5 dm ³

PRESSURE VESSEL APPROVAL

PED

AlfaNova 76-100H (3288001052)

www.alfalaval.com

CUSTOMER NAME / REF. NO.

TOTAL LENGTH 364.0 mm
TOTAL WIDTH 191.0 mm
TOTAL HEIGHT 618.0 mm

COMPANY / REF.



8/24/2017
REV 0