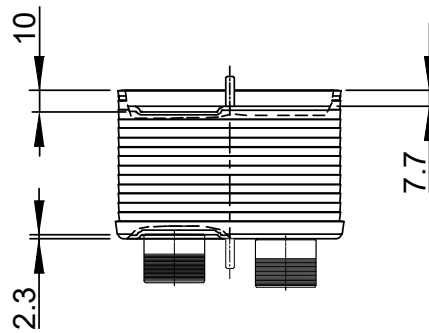
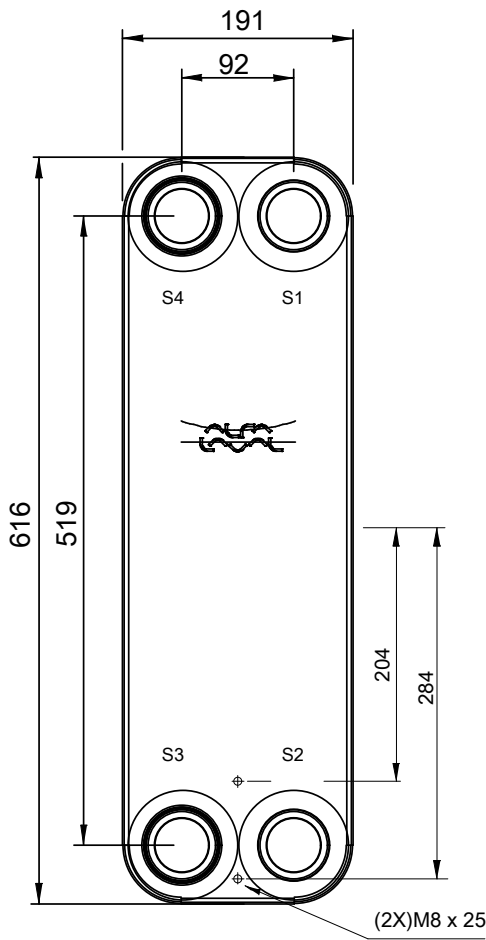
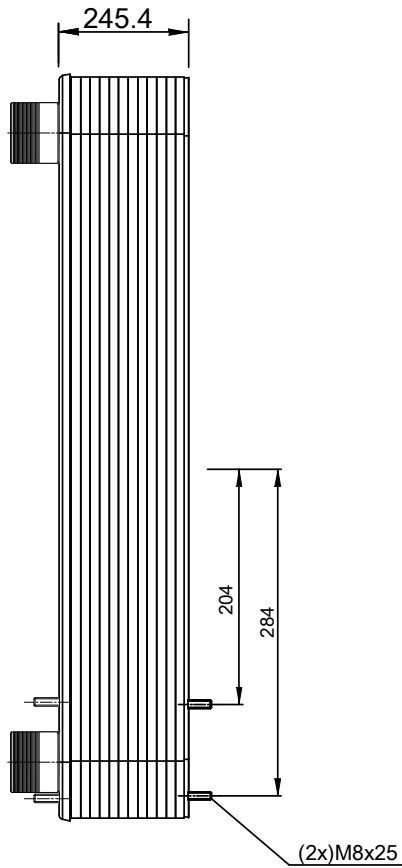
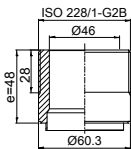


Note that all unique customer requirements (i.e tolerance) need to be verified thru Alfa Laval.

B 23
ALLOY 316
S1,S2,S3,S4



HEATING SURFACE m²
 NETWEIGHT 37.9 kg
 OPERATING WEIGHT kg
 PLATE MATERIAL ALLOY 316
 PLATE GROUPING 1*44H/1*45H

ALL DIMENSIONS IN MILLIMETERS

| SIDE | MEDIA | INLET | TEMP. | OUTLET | TEMP. | FLOW RATE | PRESSURE DROP | LIQUID VOL. |
|------|-------|-------|-------|--------|-------|-----------|---------------|---------------------|
| 1 | Water | S1 | °C | S2 | °C | kg/h | kPa | 9.5 dm ³ |
| 2 | Water | S3 | °C | S4 | °C | kg/h | kPa | 9.2 dm ³ |

PRESSURE VESSEL APPROVAL

PED

CB110-90H (3287101562)

www.alfalaval.com

CUSTOMER NAME / REF. NO.

TOTAL LENGTH 308 mm
 TOTAL WIDTH 191 mm
 TOTAL HEIGHT 616 mm

COMPANY / REF.
 Alfa Laval Nordic AB



12/1/2018
 REV 0