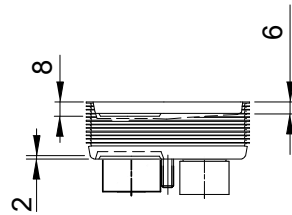
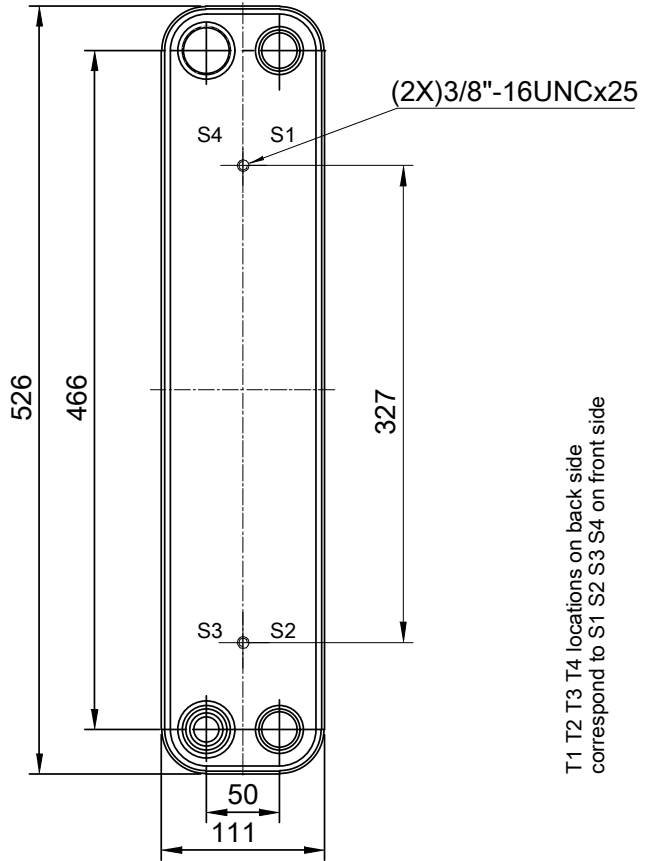
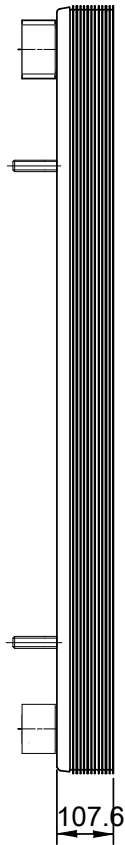
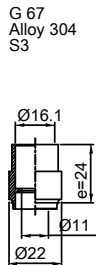
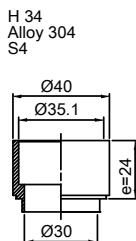
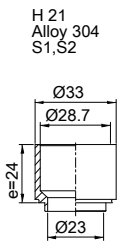


Note that all unique customer requirements (i.e tolerance) need to be verified thru Alfa Laval.



T1 T2 T3 T4 locations on back side correspond to S1 S2 S3 S4 on front side

HEATING SURFACE  
 NETWEIGHT 10.2 kg  
 OPERATING WEIGHT  
 PLATE MATERIAL Alloy 316  
 PLATE GROUPING 1\*20ML/1\*21MH

ALL DIMENSIONS IN MILLIMETERS

SIDE	MEDIA	INLET	TEMP.	OUTLET	TEMP.	FLOW RATE	PRESSURE DROP	LIQUID VOL.
1								1.9 dm <sup>3</sup>
2								2 dm <sup>3</sup>

PRESSURE VESSEL APPROVAL

UL/CRN



ACH-70X-42M S24 (3287083720)

www.alfalaval.com

CUSTOMER NAME / REF. NO.

COMPANY / REF.

TOTAL LENGTH 133.6 mm  
 TOTAL WIDTH 111.0 mm  
 TOTAL HEIGHT 526.0 mm

6/5/2017  
 REV 0