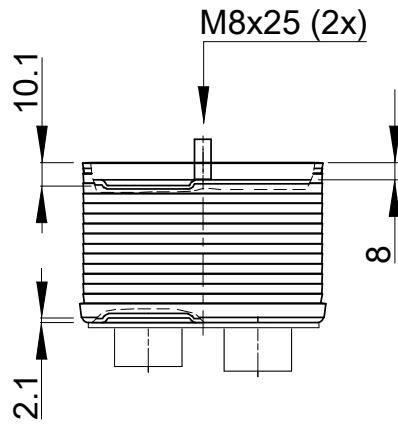
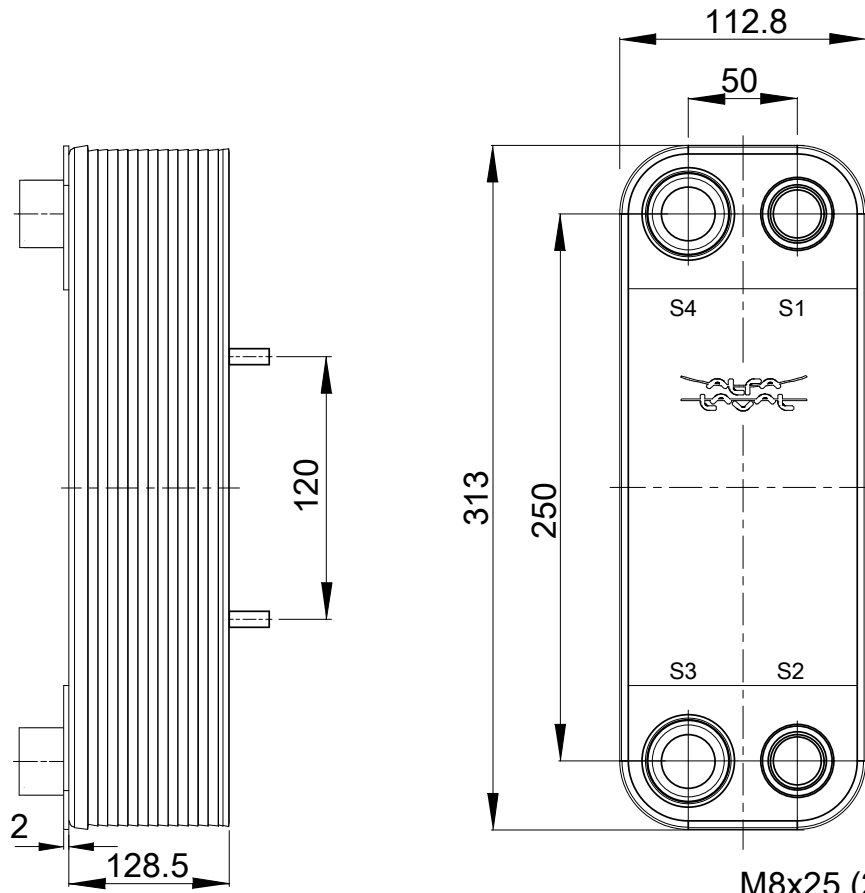
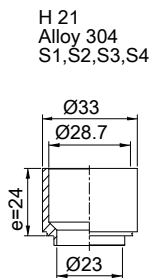


Note that all unique customer requirements (i.e tolerance) need to be verified thru Alfa Laval.



T1 T2 T3 T4 locations on back side  
correspond to S1 S2 S3 S4 on front side

HEATING SURFACE  
NETWEIGHT 7.67 kg  
OPERATING WEIGHT  
PLATE MATERIAL Alloy 316  
PLATE GROUPING 1\*24H/1\*25H

ALL DIMENSIONS IN MILLIMETERS

SIDE	MEDIA	INLET	TEMP.	OUTLET	TEMP.	FLOW RATE	PRESSURE DROP	LIQUID VOL.
1								1.3 dm <sup>3</sup>
2								1.35 dm <sup>3</sup>

PRESSURE VESSEL APPROVAL PED

CBH30-50H-F (3287094600)

[www.alfalaval.com](http://www.alfalaval.com)

CUSTOMER NAME / REF. NO.

TOTAL LENGTH 175.5 mm  
TOTAL WIDTH 113.0 mm  
TOTAL HEIGHT 313.0 mm

COMPANY / REF.



8/24/2017  
REV 0