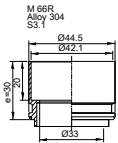
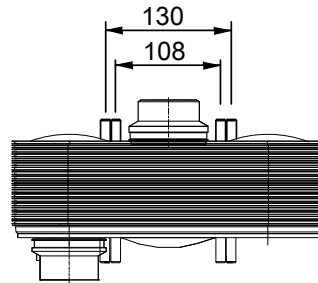
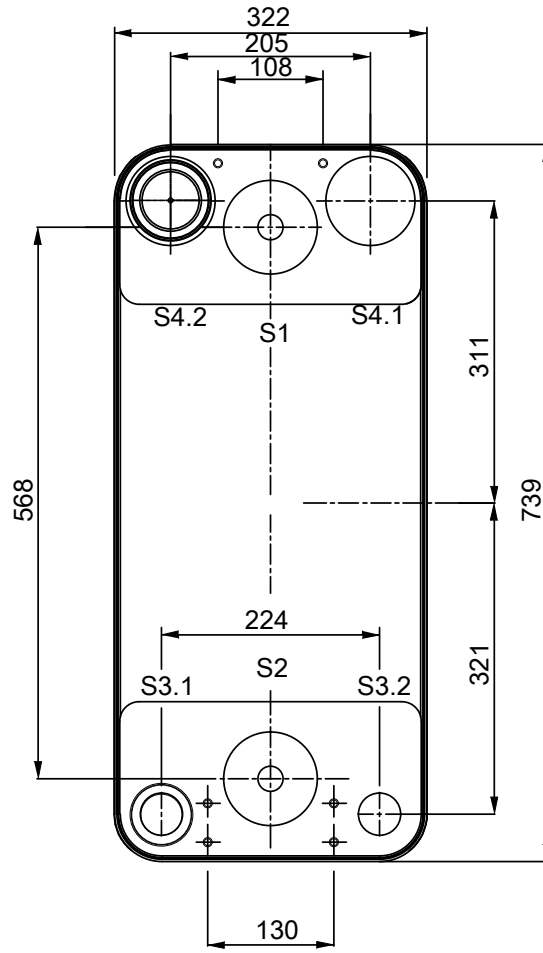
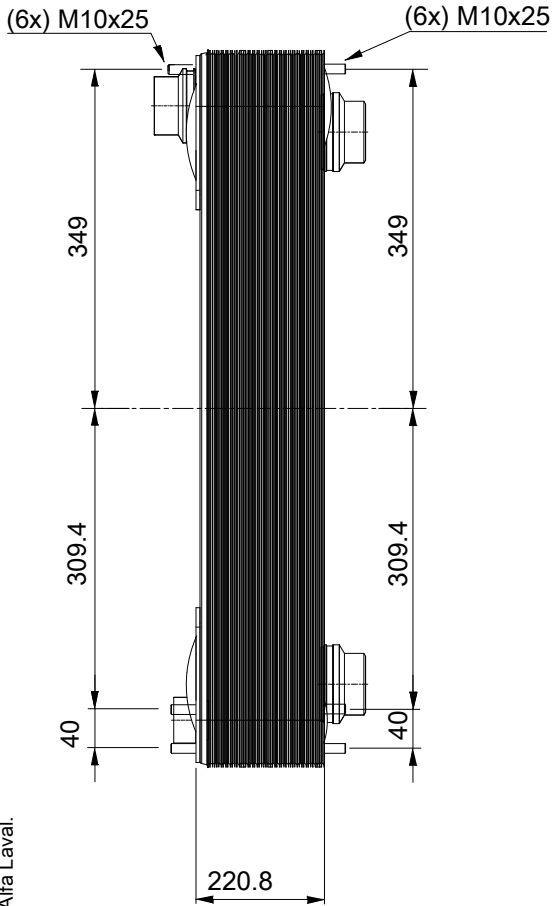
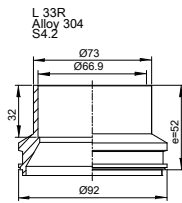
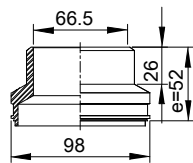


Note that all unique customer requirements (i.e tolerance) need to be verified thru Alfa Laval.



J 31R
Alloy 304
T1,T2



HEATING SURFACE
NETWEIGHT 79.5 kg
OPERATING WEIGHT
PLATE MATERIAL Alloy 316
PLATE GROUPING 1*39HR/1*40HB

T1 T2 T3.1 T3.2 T4.1 T4.2 locations on back side correspond to S1 S2 S3.1 S3.2 S4.1 S4.2 on front side

ALL DIMENSIONS IN MILLIMETERS

SIDE	MEDIA	INLET	TEMP.	OUTLET	TEMP.	FLOW RATE	PRESSURE DROP	LIQUID VOL.
1								19.5 dm ³
2								18.8 dm ³

PRESSURE VESSEL APPROVAL PED
ACH-500EQ-80H-F (3287076471)



www.alfalaval.com

CUSTOMER NAME / REF. NO.

COMPANY / REF.

TOTAL LENGTH 323.3 mm
TOTAL WIDTH 322.0 mm
TOTAL HEIGHT 739.0 mm



3/24/2017
REV 0