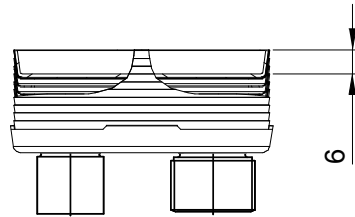
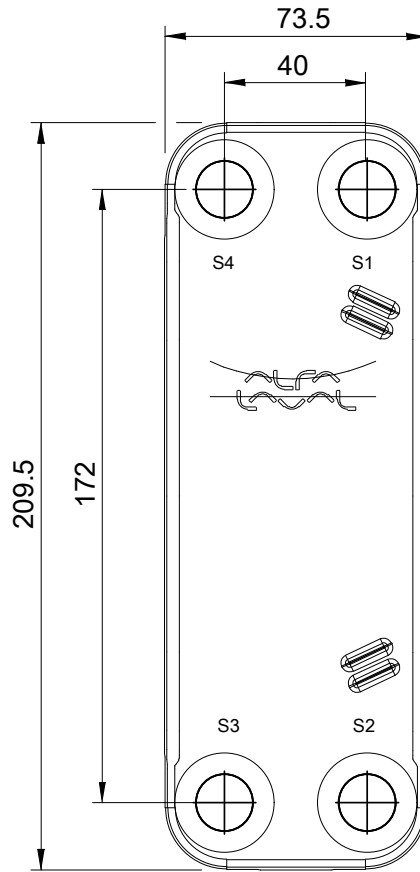
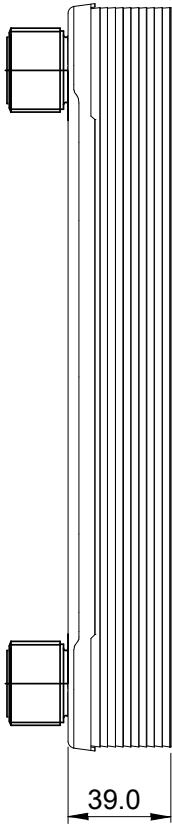
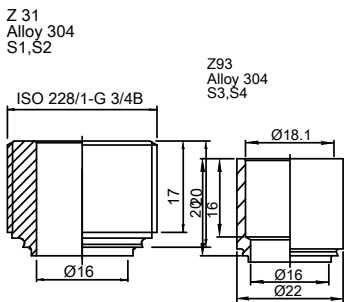


Note that all unique customer requirements (i.e tolerance) need to be verified thru Alfa Laval.



HEATING SURFACE  
 NETWEIGHT 1.06 kg  
 OPERATING WEIGHT  
 PLATE MATERIAL Alloy 316  
 PLATE GROUPING 1\*6H/1\*7H

T1 T2 T3 T4 locations on back side  
 correspond to S1 S2 S3 S4 on front side

ALL DIMENSIONS IN MILLIMETERS

SIDE	MEDIA	INLET	TEMP.	OUTLET	TEMP.	FLOW RATE	PRESSURE DROP	LIQUID VOL.
1								0.16 dm <sup>3</sup>
2								0.19 dm <sup>3</sup>

PRESSURE VESSEL APPROVAL PED

ACH16-14H-F (3287102076)

www.alfalaval.com

CUSTOMER NAME / REF. NO.

COMPANY / REF.

TOTAL LENGTH 59.0 mm  
 TOTAL WIDTH 73.5 mm  
 TOTAL HEIGHT 209.5 mm

3/9/2017  
 REV 0