



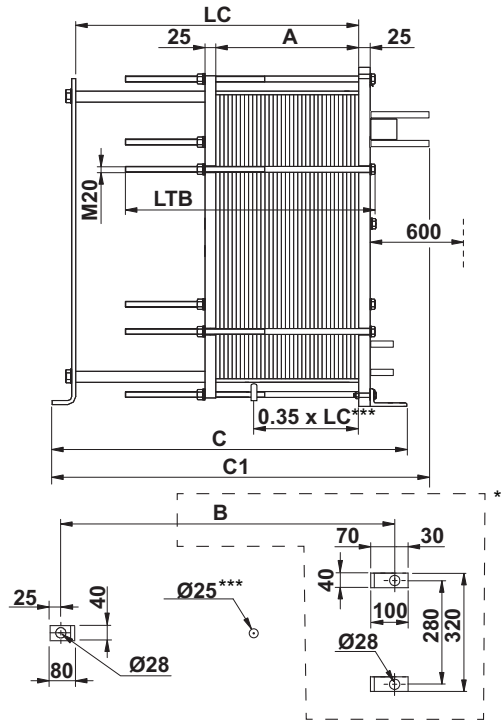
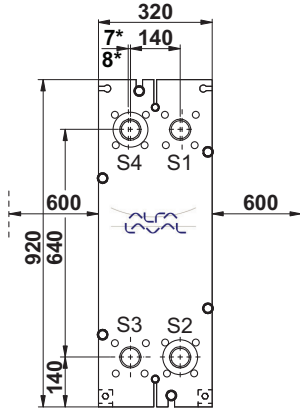
Plate heat exchanger type M6-MFG

pvcALS

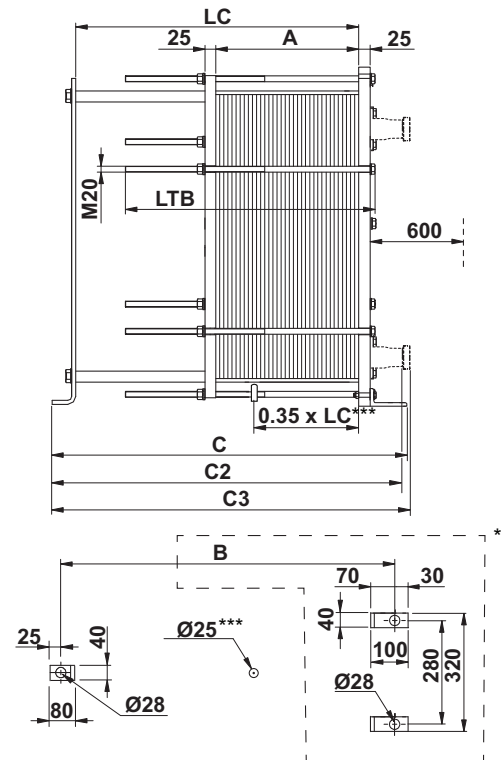
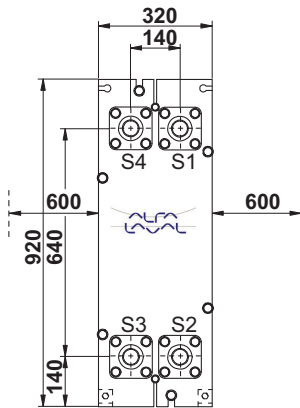
NOTE!

This Type Sheet is a guideline to configure the Plate Heat Exchanger (PHE). Please validate your required configuration in the sales configurator tool. A correct configuration will generate a green or yellow light.

PHE with stud bolt connection



PHE with hygienic connection



All dimensions in mm.

*Valid for eccentric bolt circle

**Measures only applicable when feet have been selected.

***Support on guiding bar, measures applicable for $LC > 1200$ mm.

NOTE! Plate packages shorter than $LC \cdot 0.4$ will interfere with the support foot.

Document ID	Variant code	Edition	Data model rev
3490004701	04	13.0	78.0