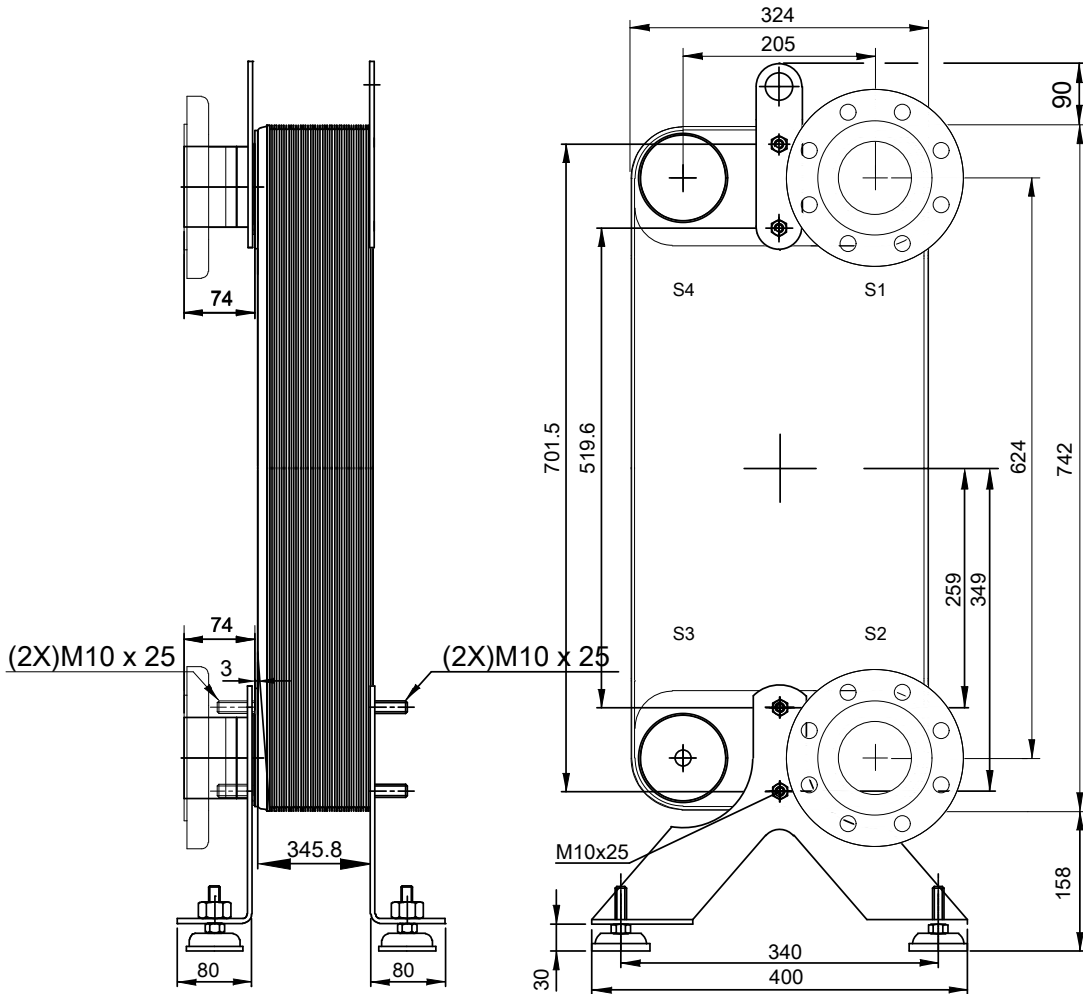


Note that all unique customer requirements (i.e tolerance) need to be verified thru Alfa Laval.

FRAME PLATE



T1 T2 T3 T4 locations on back side correspond to S1 S2 S3 S4 on front side

ALL DIMENSIONS IN MILLIMETERS

HEATING SURFACE
NETWEIGHT 109.2 kg
OPERATING WEIGHT
PLATE MATERIAL Alloy 316
PLATE GROUPING 1*61H/1*62H

| SIDE | MEDIA | INLET | TEMP. | OUTLET | TEMP. | FLOW RATE | PRESSURE DROP | LIQUID VOL. |
|------|-------|-------|-------|--------|-------|-----------|---------------|----------------------|
| 1 | | | | | | | | 31.1 dm ³ |
| 2 | | | | | | | | 31.6 dm ³ |

PRESSURE VESSEL APPROVAL

PED

CB200-124H (3287073398)

www.alfalaval.com

CUSTOMER NAME / REF. NO.

TOTAL LENGTH 505.8 mm
TOTAL WIDTH 324.0 mm
TOTAL HEIGHT 990.0 mm

COMPANY / REF.



8/24/2017
REV 0