

APPROXIMATE WEIGHTS:

	ALDEC 20	ALDEC 30
TOTAL WEIGHT OF EMPTY DECANTER	1400kg/ 3080lbs	1500kg/3300lbs
ROTATING ASSY INCL. PILLOW BLOCKS	325kg/ 715lbs	350kg/ 780lbs
CPL.FRAME ASSY EXCL. MAIN MOTOR AND ROT. ASSY..	750kg/ 1650lbs	800kg/1770lbs
MAIN MOTOR	150kg/ 330lbs	150kg/ 330lbs
UPPER CASING	65kg/ 145lbs	75kg/ 165lbs
GEAR BOX	60kg/ 130lbs	60kg/ 130lbs
MIN.CRANE CAPACITY FOR LIFTING OF ROTATING ASSY:	450kg/ 1000lbs	450kg/1000lbs

LOADING DATA:

	ALDEC 20	ALDEC 30
DECANTER		
1. MAX. STATIC LOAD		
A- VERTICAL	14800 N	15800 N
B- HORIZONTAL	0 N	0 N
2. MAX. DYNAMIC LOAD AT RUN DOWN (ADD TO STATIC LOAD)		
A- VERTICAL	± 2000 N	± 2000 N
B- HORIZONTAL	± 1000 N	± 1000 N
3. MAX. DYNAMIC LOAD AT OPERATING SPEED		
A- VERTICAL	±200 N	±200 N
B- HORIZONTAL	±200 N	±200 N

CONNECTIONS:

DIMENSION / TYPE

- A FEED $\phi 31.75$ (1 1/4") HOSE CONNECTION OD 43-46
- B SOLIDS OUTLET RECTANGULAR FLANGE
- *B SOLIDS OUTLET FUNNEL..... 477 x 257 TUBE
- C LIQUID OUTLET RECTANGULAR FLANGE
- *C LIQUID OUTLET FUNNEL $\phi 100$ HOSE CONNECTION
- D POLYMER ADDITION ISO 228-G 1/2 CONNECTION

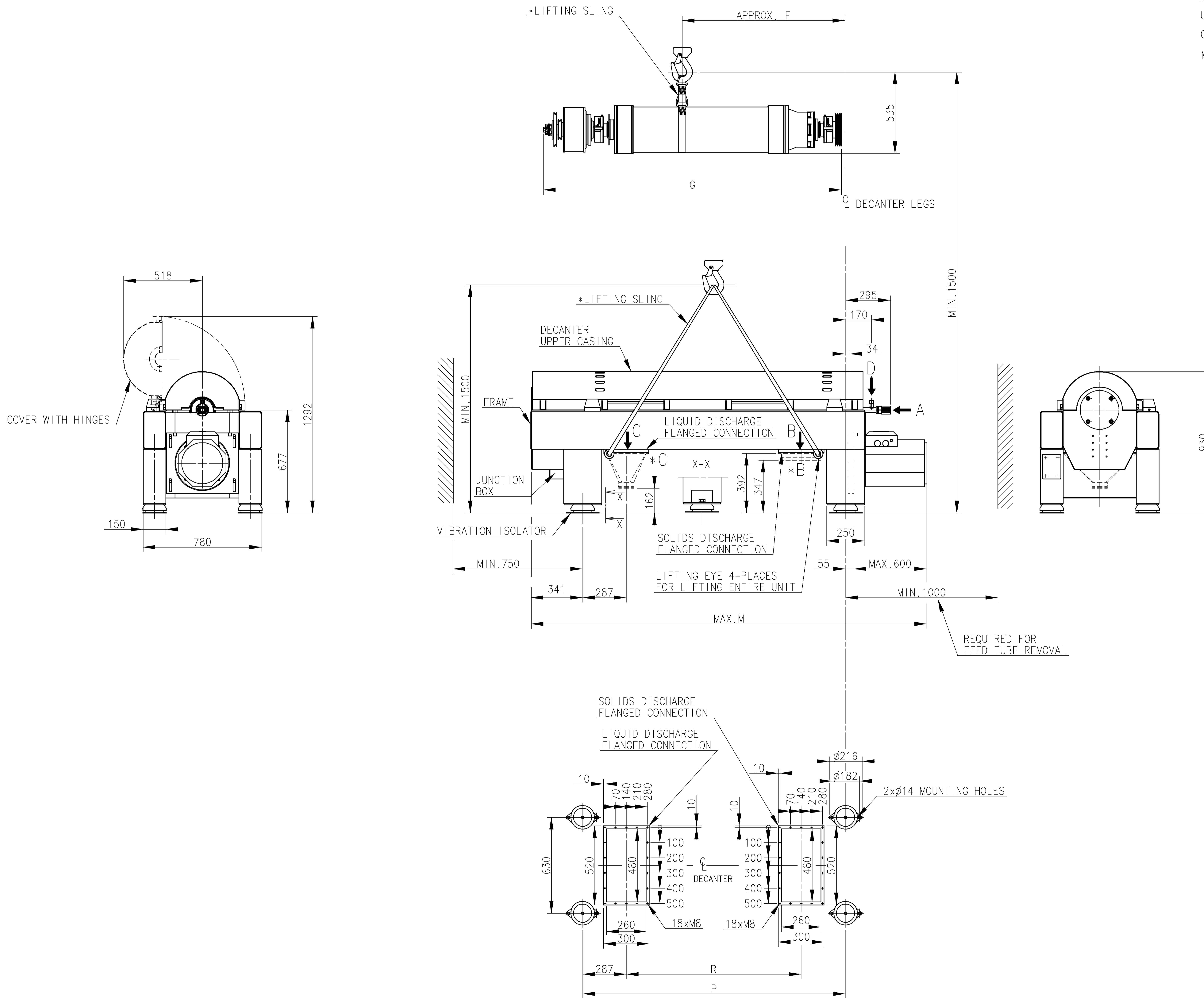
MAIN DIMENSIONS:

TYPE	F	G	M	P	R
ALDEC 20	930	1680	2446	1450	870
ALDEC 30	1070	1960	2726	1730	1150

NOTES:

- 1- ALL CONNECTIONS MUST BE FLEXIBLE.
- 2- FOR PROPER VENTING OF DISCHARGE HOPPERS REFER TO THE INSTALLATION DRAWING. IMPROPER VENTING CAN LEAD TO LEAKAGE PROBLEMS.
- 3- CUSTOMER IS RESPONSIBLE FOR ANCHORING.
- 4- FOR FURTHER INFORMATION, SEE INSTALLATION DATA MANUAL AND INSTALLATION DRAWING

* OPTIONAL EQUIPMENT



Rev. No.	Date	Modified By	Appr.
3	051220	DFa	OAN

Item	Article No.	Name/Designation	Material
Title			
DIMENSIONED DRAWING			Alfa Laval
ALDEC 20/30			Alfa Laval Copenhagen A/S SØBORG DENMARK
1:5	First angle projection	Surface roughness	Scale
		$R_A \mu m$	1:10
		AO	Dpt. GKU
			Date 050107
			Drawn MGN
			Appr. EG
			Model N
Document No.			61240884

This document and its contents are the exclusive property of Alfa Laval and are not to be distributed, copied, or used for any other purpose without the written consent of Alfa Laval.