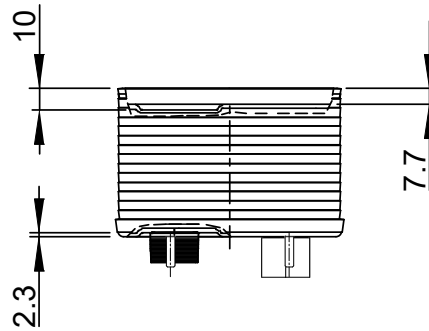
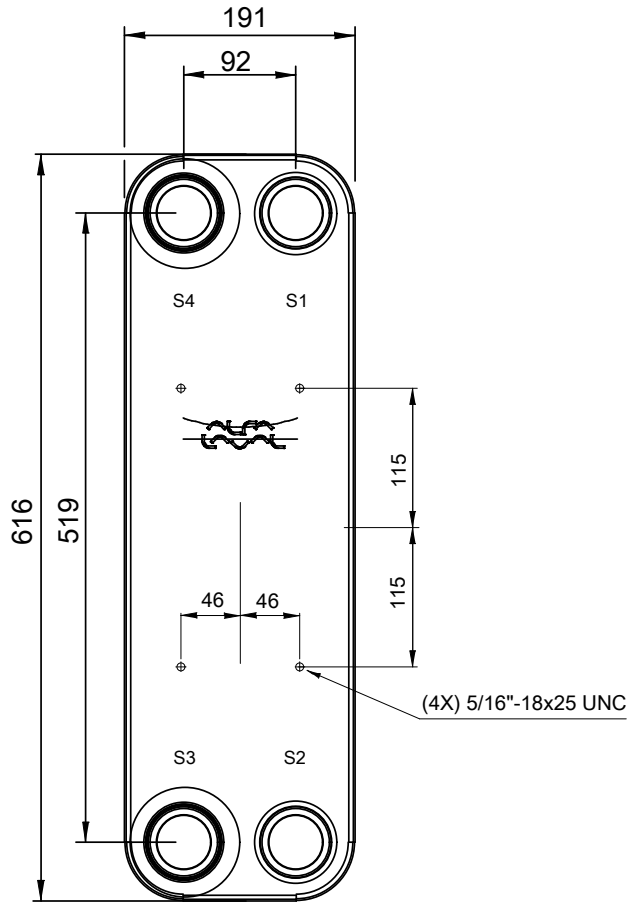
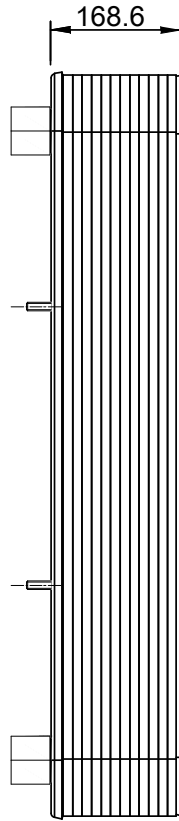
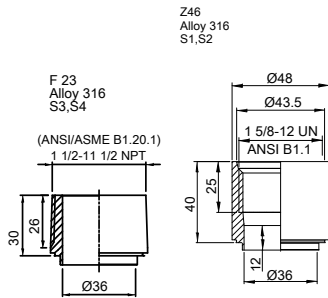


Note that all unique customer requirements (i.e tolerance) need to be verified thru Alfa Laval.



HEATING SURFACE
 NETWEIGHT 34.5 kg
 OPERATING WEIGHT
 PLATE MATERIAL Alloy 316
 PLATE GROUPING 1*29H/1*30H

ALL DIMENSIONS IN MILLIMETERS

| SIDE | MEDIA | INLET | TEMP. | OUTLET | TEMP. | FLOW RATE | PRESSURE DROP | LIQUID VOL. |
|------|-------|-------|-------|--------|-------|-----------|---------------|----------------------|
| 1 | | | | | | | | 6.09 dm ³ |
| 2 | | | | | | | | 6.3 dm ³ |

PRESSURE VESSEL APPROVAL

UL/CRN

CB110-60H N03 (3287128196)

www.alfalaval.com

CUSTOMER NAME / REF. NO.

TOTAL LENGTH 208.6 mm
 TOTAL WIDTH 191.0 mm
 TOTAL HEIGHT 616.0 mm

COMPANY / REF.

12/11/2017
 REV 0