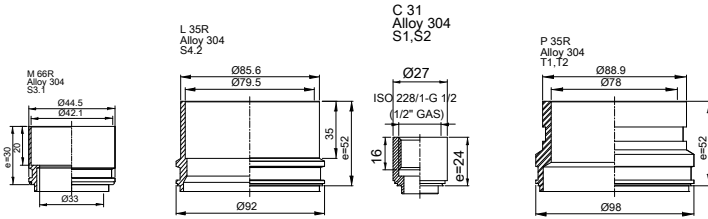
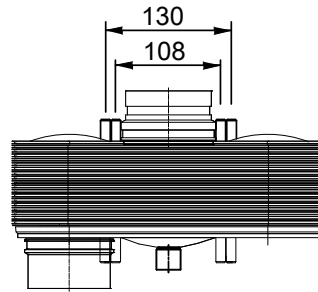
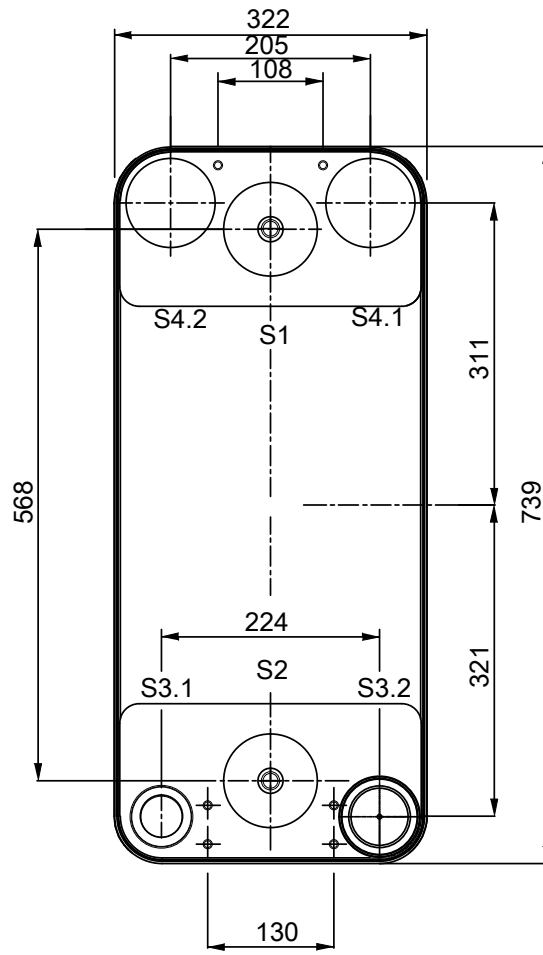
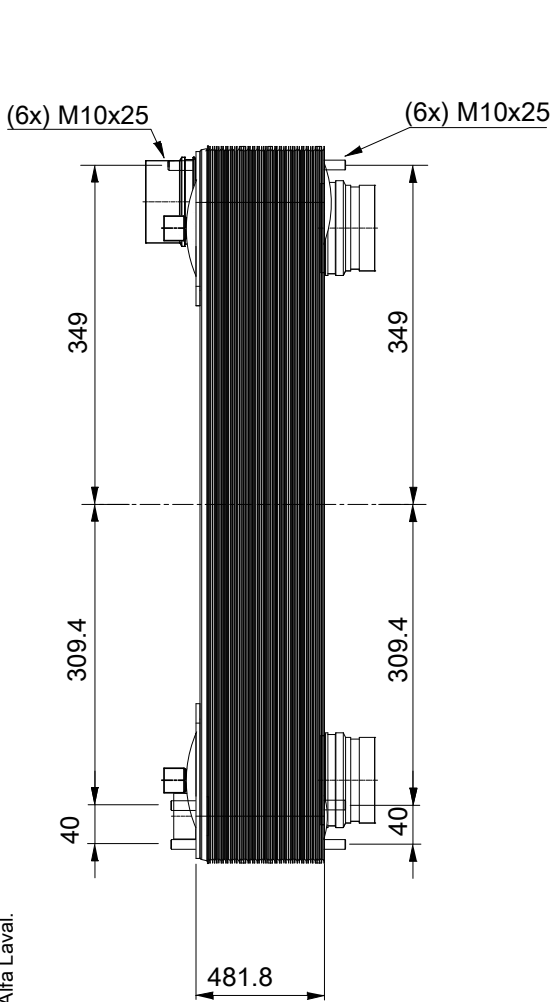


Note that all unique customer requirements (i.e tolerance) need to be verified thru Alfa Laval.



HEATING SURFACE
 NETWEIGHT
 OPERATING WEIGHT
 PLATE MATERIAL
 PLATE GROUPING

163.3 kg
 Alloy 316
 1*89HR/1*90HB

T1 T2 T3.1 T3.2 T4.1 T4.2 locations on back side correspond to S1 S2 S3.1 S3.2 S4.1 S4.2 on front side

ALL DIMENSIONS IN MILLIMETERS

SIDE	MEDIA	INLET	TEMP.	OUTLET	TEMP.	FLOW RATE	PRESSURE DROP	LIQUID VOL.
1								44.5 dm ³
2								42.3 dm ³

PRESSURE VESSEL APPROVAL PED
 AC-500EQ-180H-F (3287076467)



www.alfalaval.com

CUSTOMER NAME / REF. NO.
 COMPANY / REF.

TOTAL LENGTH 584.3 mm
 TOTAL WIDTH 322.0 mm
 TOTAL HEIGHT 739.0 mm



8/24/2017
 REV 0