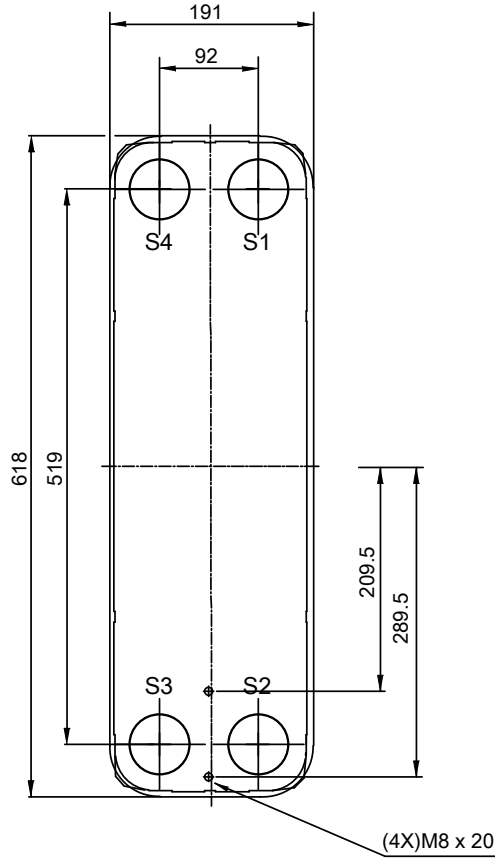
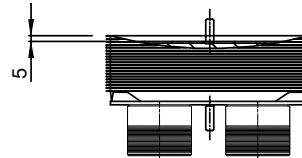
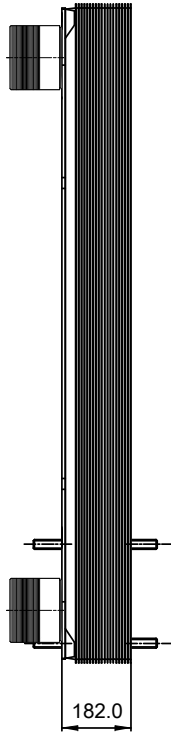
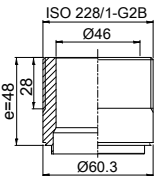


Note that all unique customer requirements (i.e tolerance) need to be verified thru Alfa Laval.

B 23  
Alloy 316  
S1, S2, S3, S4



T1 T2 T3 T4 locations on back side correspond to S1 S2 S3 S4 on front side

HEATING SURFACE  
NETWEIGHT 43.5 kg  
OPERATING WEIGHT  
PLATE MATERIAL Alloy 316  
PLATE GROUPING 1\*29H/1\*30H

ALL DIMENSIONS IN MILLIMETERS

SIDE	MEDIA	INLET	TEMP.	OUTLET	TEMP.	FLOW RATE	PRESSURE DROP	LIQUID VOL.
1								7.25 dm <sup>3</sup>
2								7.5 dm <sup>3</sup>

PRESSURE VESSEL APPROVAL

PED

AlfaNova 76-60H (3288001138)

[www.alfalaval.com](http://www.alfalaval.com)

CUSTOMER NAME / REF. NO.

COMPANY / REF.

TOTAL LENGTH 250.0 mm  
TOTAL WIDTH 191.0 mm  
TOTAL HEIGHT 618.0 mm



8/24/2017  
REV 0