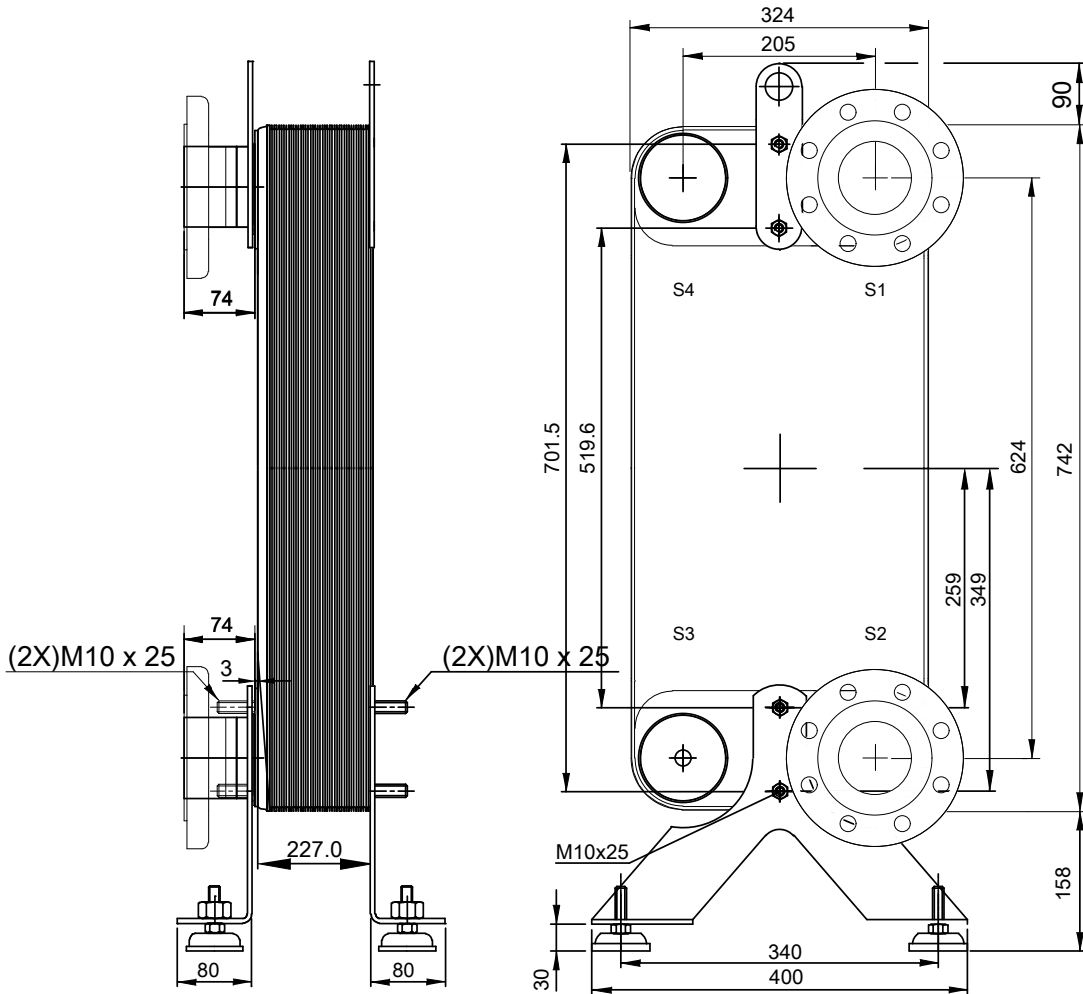


Note that all unique customer requirements (i.e tolerance) need to be verified thru Alfa Laval.

FRAME PLATE



T1 T2 T3 T4 locations on back side correspond to S1 S2 S3 S4 on front side

ALL DIMENSIONS IN MILLIMETERS

HEATING SURFACE
NETWEIGHT 82.8 kg
OPERATING WEIGHT
PLATE MATERIAL Alloy 316
PLATE GROUPING 1*39H/1*40H

SIDE	MEDIA	INLET	TEMP.	OUTLET	TEMP.	FLOW RATE	PRESSURE DROP	LIQUID VOL.
1								19.9 dm ³
2								20.4 dm ³

PRESSURE VESSEL APPROVAL

PED

CB200-80H (3287073397)

www.alfalaval.com

CUSTOMER NAME / REF. NO.

TOTAL LENGTH 387.0 mm
TOTAL WIDTH 324.0 mm
TOTAL HEIGHT 990.0 mm

COMPANY / REF.



8/24/2017
REV 0