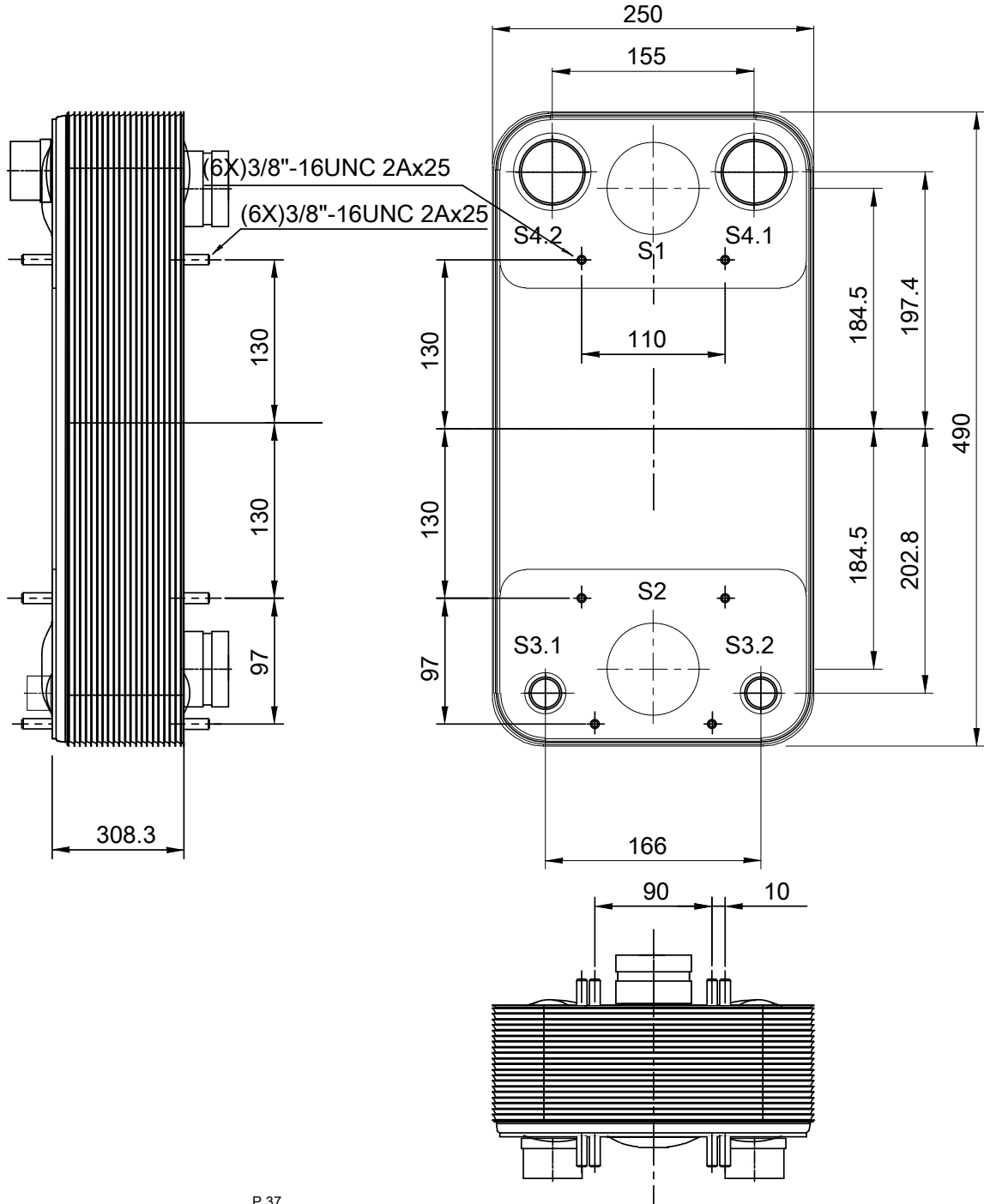
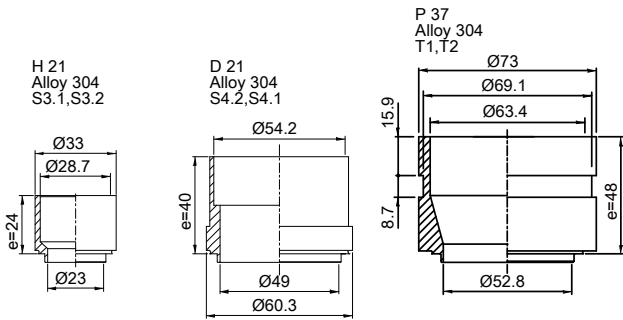


Note that all unique customer requirements (i.e tolerance) need to be verified thru Alfa Laval.

T1 T2 T3.1 T3.2 T4.1 T4.2 locations on back side correspond to S1 S2 S3.1 S3.2 S4.1 S4.2 on front side



HEATING SURFACE
 NETWEIGHT 60.7 kg
 OPERATING WEIGHT
 PLATE MATERIAL Alloy 316
 PLATE GROUPING 1*68HR/1*69HB

ALL DIMENSIONS IN MILLIMETERS

SIDE	MEDIA	INLET	TEMP.	OUTLET	TEMP.	FLOW RATE	PRESSURE DROP	LIQUID VOL.
1								6.8 dm ³
2								6.8/6.8 dm ³



PRESSURE VESSEL APPROVAL UL/CRN
 ACH-230DQ-138H-F (3287084572)

www.alfalaval.com

CUSTOMER NAME / REF. NO.	TOTAL LENGTH	392.3 mm
COMPANY / REF.	TOTAL WIDTH	250.0 mm
	TOTAL HEIGHT	490.0 mm

3/15/2017
 REV 0