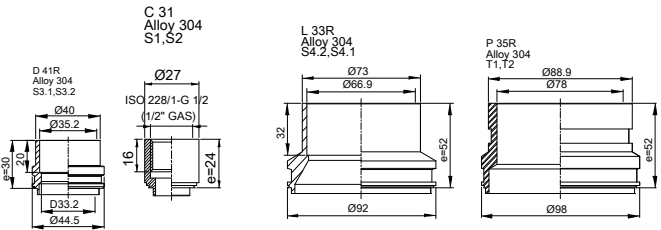
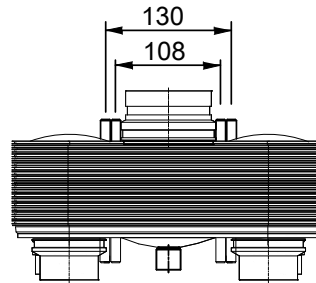
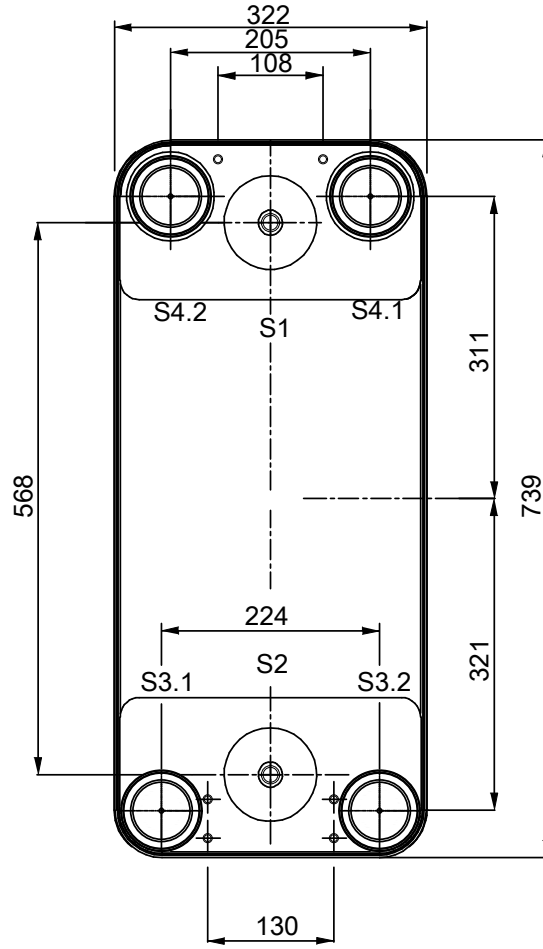
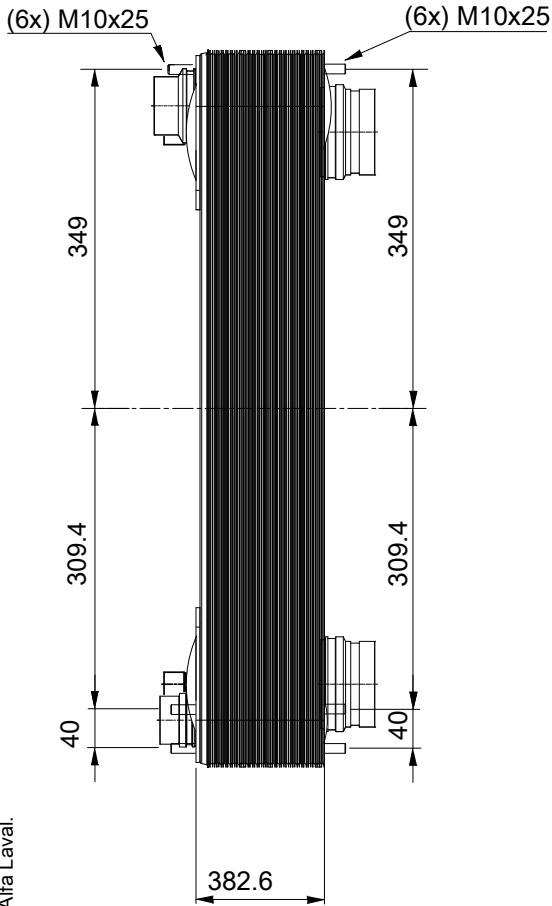


Note that all unique customer requirements (i.e tolerance) need to be verified thru Alfa Laval.



HEATING SURFACE  
 NETWEIGHT 132.1 kg  
 OPERATING WEIGHT  
 PLATE MATERIAL Alloy 316  
 PLATE GROUPING 1\*70HR/1\*71HB

T1 T2 T3.1 T3.2 T4.1 T4.2 locations on back side correspond to S1 S2 S3.1 S3.2 S4.1 S4.2 on front side

ALL DIMENSIONS IN MILLIMETERS

SIDE	MEDIA	INLET	TEMP.	OUTLET	TEMP.	FLOW RATE	PRESSURE DROP	LIQUID VOL.
1								17.5 dm <sup>3</sup>
2								17.5/17.5 dm <sup>3</sup>



PRESSURE VESSEL APPROVAL PED  
 AC-500DQ-142H (3287069875)

www.alfalaval.com

CUSTOMER NAME / REF. NO.  
 COMPANY / REF.

TOTAL LENGTH 485.1 mm  
 TOTAL WIDTH 322.0 mm  
 TOTAL HEIGHT 739.0 mm



3/24/2017  
 REV 0