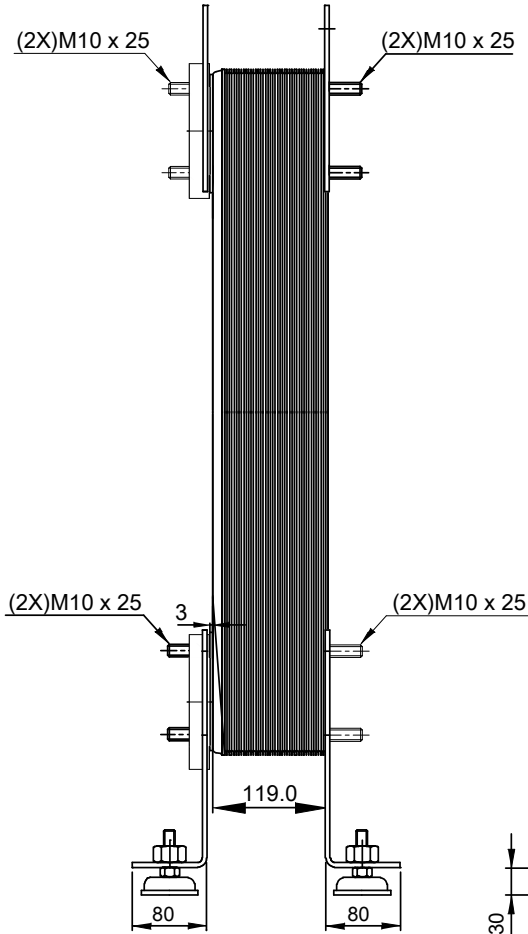
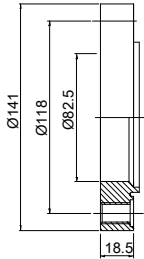
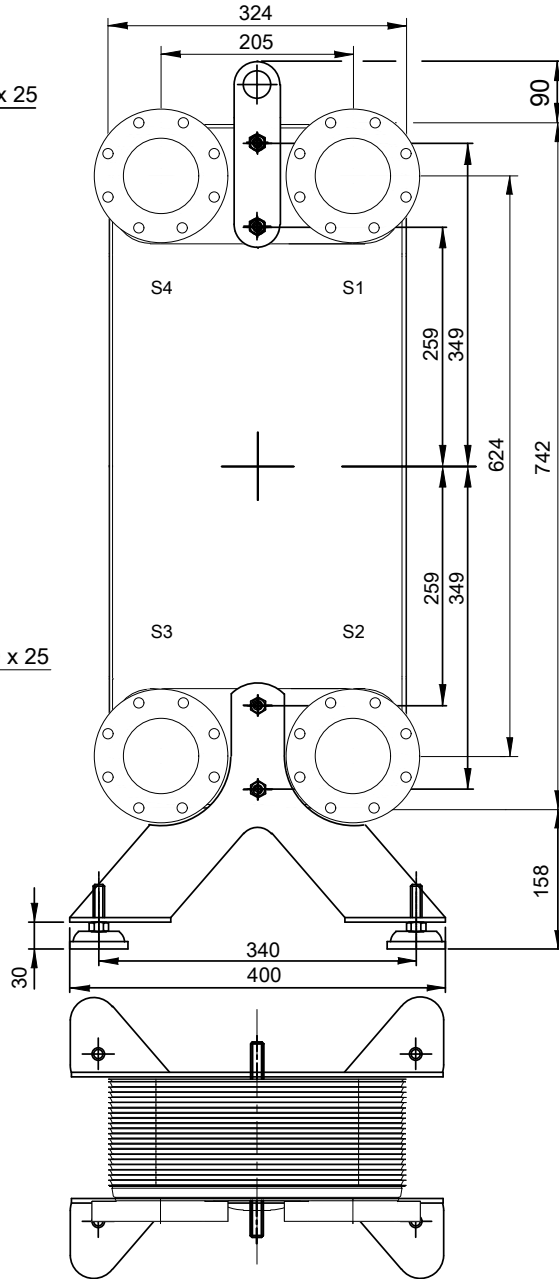


Note that all unique customer requirements (i.e tolerance) need to be verified thru Alfa Laval.

CPF80FP  
ALLOY 316  
S1,S2,S3,S4



FRAME PLATE



HEATING SURFACE m<sup>2</sup>  
NETWEIGHT 41.9 kg  
OPERATING WEIGHT kg  
PLATE MATERIAL ALLOY 316  
PLATE GROUPING 1\*19M/1\*20M

T1 T2 T3 T4 locations on back side correspond to S1 S2 S3 S4 on front side

ALL DIMENSIONS IN MILLIMETERS

SIDE	MEDIA	INLET	TEMP. °C	OUTLET	TEMP. °C	FLOW RATE	PRESSURE DROP	LIQUID VOL.
1	Water	S1	°C	S2	°C	kg/h	kPa	10.2 dm <sup>3</sup>
2	Water	S3	°C	S4	°C	kg/h	kPa	9.7 dm <sup>3</sup>

PRESSURE VESSEL APPROVAL

PED

CB200-40M (3287070513)

www.alfalaval.com

CUSTOMER NAME / REF. NO.

COMPANY / REF.  
Alfa Laval Nordic AB

TOTAL LENGTH 279 mm  
TOTAL WIDTH 324 mm  
TOTAL HEIGHT 990 mm



12/1/2018  
REV 0